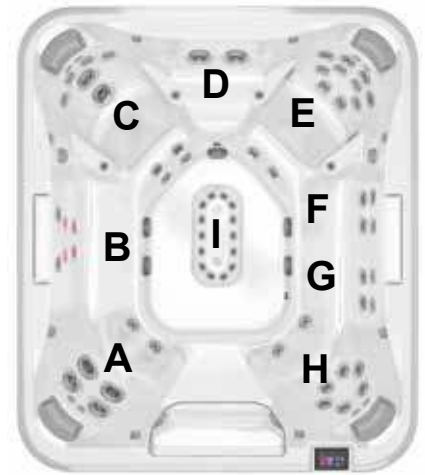


# Jacuzzi J509™

## Specifications

<b>Seating Capacity</b> .....	8-9 Adults
<b>Dimensions</b> .....	94" x 110" x 37", (239 cm x 280 cm x 94 cm); <b>For complete dimensions, See page 73</b>
<b>Dry Weight</b> .....	1,275 lbs (578 kg)
<b>Filled Weight (Average Fill)</b> .....	5,487 lbs (2,489 kg)
<b>Water Capacity (Average Fill)</b> .....	505 US gallons (1,912 Liters)
<b>Electronic Controls</b> .....	ProTouch Plus™ control panel, custom and preset therapy modes, user interface displays temperature, time, cycles and fingertip jet control. Offers customizing of programmed filtration cycles, heating modes and water temperature setting. Auxiliary control panel offers jets pump, IR and red light therapy and lighting.
<b>Pump 1</b> .....	North America (60 Hz): 2-Speed, 5.1 HP break, 2.5 HP continuous, 56 Frame <b>Export (50 Hz):..... 2-Speed, 2.0 HP continuous</b>
<b>Pump 2</b> .....	North America (60 Hz): 2-Speed, 5.1 HP break, 2.5 HP continuous, 56 Frame <b>Export (50 Hz):..... 1-Speed, 2.0 HP continuous</b>
<b>Pump 3</b> .....	North America (60 Hz): 1-Speed, 5.1 HP break, 2.5 HP continuous, 56 Frame <b>Export (50 Hz):..... 1-Speed, 2.0 HP continuous</b>
<b>Circulation Pump</b> .....	Yes, 8-Hour
<b>Total Jacuzzi® PowerPro® Jets</b> .....	76 (plus 4 IR Therapy Lights)
<b>Seat A Jets</b> .....	2 Jacuzzi® PowerPro® NX, 2 Jacuzzi® PowerPro® FX Large Rotational, 2 Jacuzzi® PowerPro® MX
<b>Seat B Jets</b> .....	4 IR Therapy Lights
<b>Seat C Jets</b> .....	2 Jacuzzi® PowerPro® NX, 4 Jacuzzi® PowerPro® FX, 2 Jacuzzi® PowerPro® FX Large Rotational, 2 Jacuzzi® PowerPro® VX Rotational, 4 Jacuzzi® PowerPro® VX
<b>Seat D Jets</b> .....	2 Jacuzzi® PowerPro® FX Large Rotational
<b>Seat E Jets</b> .....	2 Jacuzzi® PowerPro® NX2, 4 Jacuzzi® PowerPro® FX Rotational, 4 Jacuzzi® PowerPro® FX, 2 Jacuzzi® PowerPro® VX, 2 Jacuzzi® PowerPro® VX Rotational
<b>Seat F Jets</b> .....	4 Jacuzzi® PowerPro® RX
<b>Seat G Jets</b> .....	2 Jacuzzi® PowerPro® NX, 2 Jacuzzi® PowerPro® FX
<b>Seat H Jets</b> .....	2 Jacuzzi® PowerPro® NX, 4 Jacuzzi® PowerPro® RX, 2 Jacuzzi® PowerPro® FX
<b>Footwell (H)</b> .....	14 Jacuzzi® PowerPro® VX Rotational
<b>Massage Selectors</b> .....	2
<b>Air Controls</b> .....	5, On/Off rocker switch air controller (equipped with an illuminated ring)
<b>Water Management System</b> .....	One ProClarity® Polishing filter cartridge on 8-hour circulation pump; Two ProClear® 50 ft² filter; One ProCatch Basket, One ProCatch Mesh filter; True Water® System <b>Export (50 Hz):..... True Water® System</b>
<b>LED Lighting</b> .....	Waterfall light, underwater, and motion sensor exterior lights
<b>ProFinish™ Cabinet Colors</b> .....	Flax and Noir
<b>Acrylic Colors</b> .....	Platinum, Silver Pearl, Midnight, Morning Mist, Canyon, Monaco (while quantities last)
<b>Headrests</b> .....	4
<b>Waterfalls</b> .....	Two with independent flow rate (on or off) adjustment; powered by 8-hour circulation pump
<b>Heater:</b> .....	North America (60 Hz): 5.5 kW, High Flow <b>Export (50 Hz): ..... High Flow, 2.7 kW</b>
<b>Electrical Requirements:</b> .....	North America (60 Hz): 240 VAC@50A or 60A <b>Export (50 Hz): 220-240 VAC@ 1x40A, 2x25A, 3x16A or suitably rated circuit breaker to comply with local electrical codes. Certain countries may require dual power inputs; two GFCI RCD breakers are required for this configuration.</b>
<b>Warranty*</b> .....	North America (60 Hz): 10 Years Shell, 7 Years Shell Surface, 5 Years Plumbing Component Leaks, 5 Years Equipment and Controls, 5 Years Cabinet, 2 Years Jets, 2 Years Lights, 1 Year True Water® System, 1 Year Stereo; <b>Export (50 Hz): 10 Years Shell, 7 Years Shell Surface, 5 Years Plumbing Component Leaks, 5 Years Equipment and Controls, 5 Years Cabinet, 2 Years Jets, 2 Years Lights, 2 Years Stereo, 1 Year True Water® System</b>
<b>Special Features (Standard)</b> .....	SmartTub® Module <b>Export (50 Hz) (Optional): ..... SmartTub® Module</b>
<b>Audio System (Standard)</b> .....	BLUEWAVE® Spa Stereo System with Bluetooth capability; 4 premium speakers, a powered subwoofer

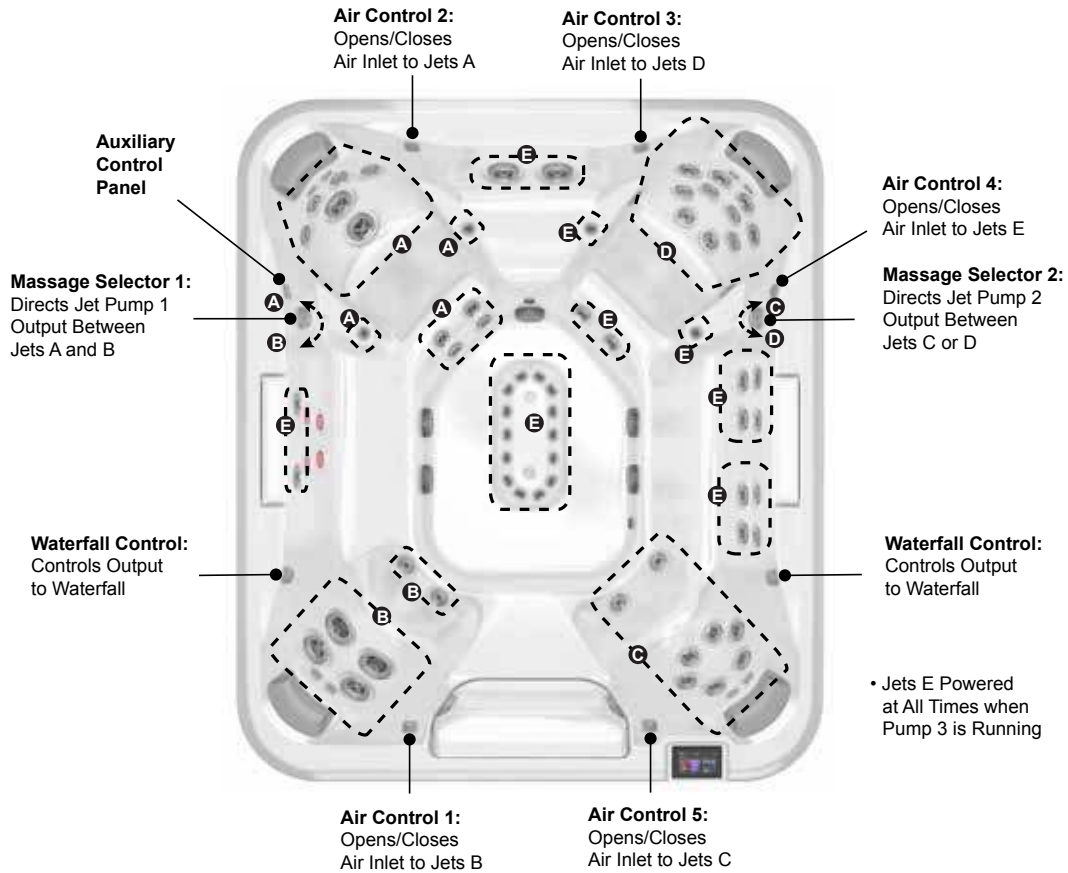


\*(See Warranty Document for Specific Details)

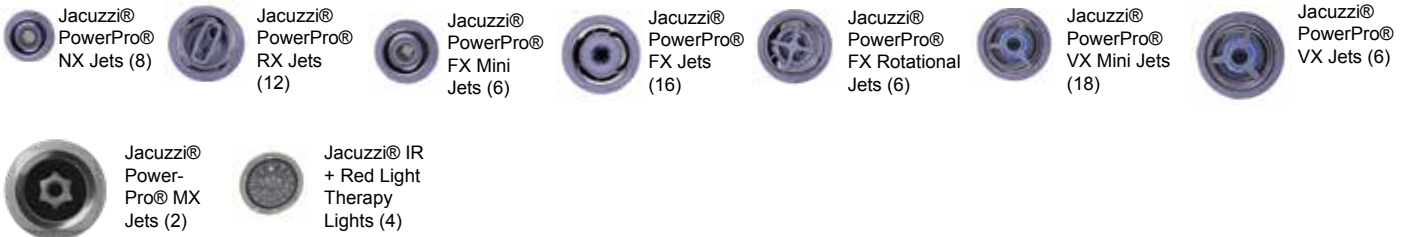
Dimensions/Specifications are Subject to Change Without Notice

# Jacuzzi J509

## Operation/Seat Depths



### 76 Total Jets (plus 4 IR Therapy Lights)



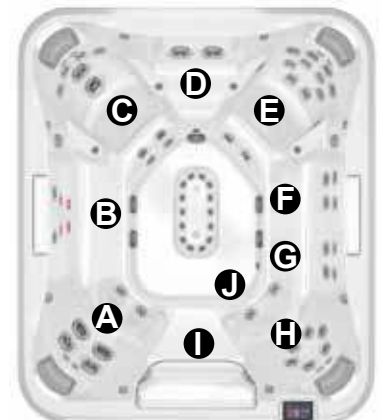
Spa Operation Subject to Change without Notice

## Seat Depths

**A = 27.13" (68.91 cm)**  
**B = 22.25" (56.52 cm)**  
**C = 27.38" (69.55 cm)**  
**D = 17.38" (44.15 cm)**  
**E = 27.63" (70.18 cm)**  
**F = 25.00" (63.50 cm)**

**G = 25.00" (63.50 cm)**  
**H = 27.00" (68.58 cm)**  
**I = 17.75" (45.09 cm)**  
**J = 32.00" (81.28 cm)**

Listed dimensions represent distance from top of acrylic to lowest point in seat. **Tolerance ± 0.5" (1.27 cm).**

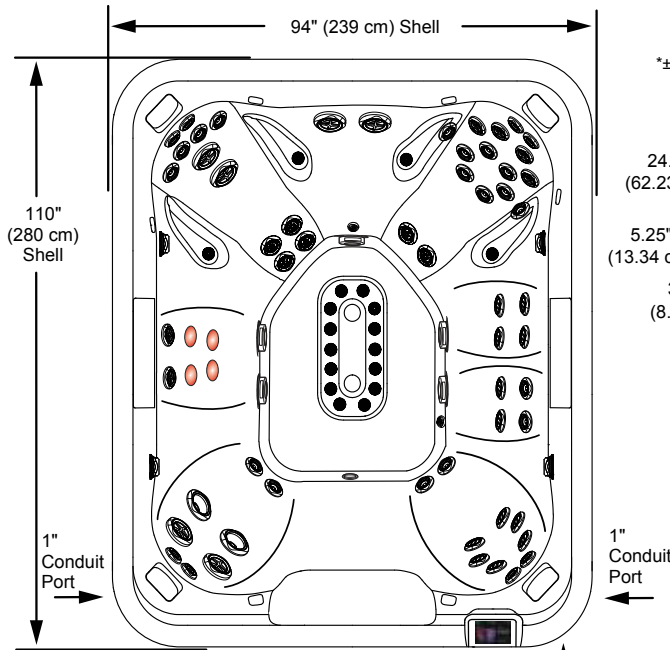


Dimensions/Specifications are Subject to Change Without Notice

# Jacuzzi J509

## Dimensions

**TOP VIEW**



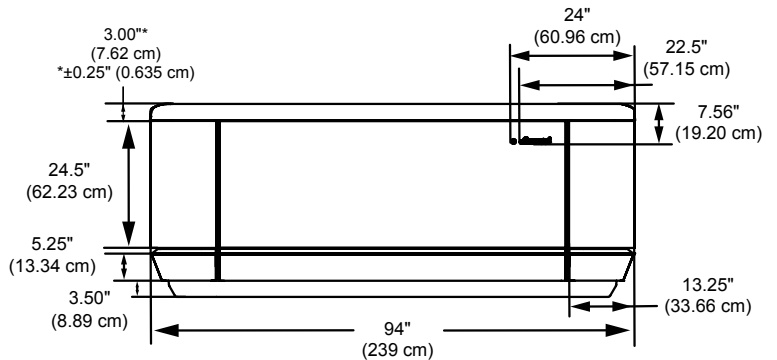
**FRONT**

Equipment Bay, Pump Access, Audio System, and SmartTub System located behind the cabinet

True™ Water Care System, Drain, Optional Spa Sense™, located behind corner cabinet

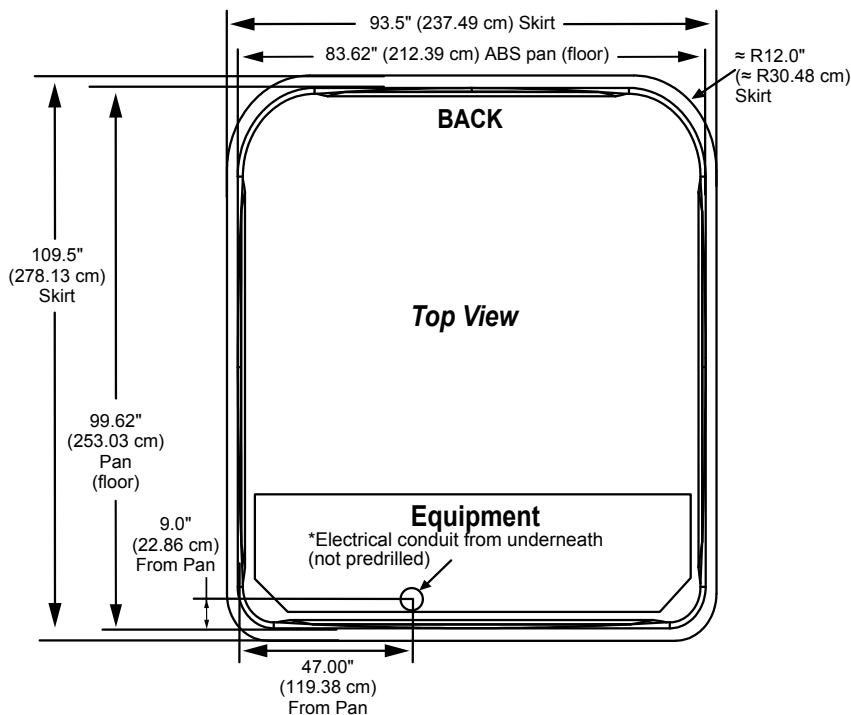
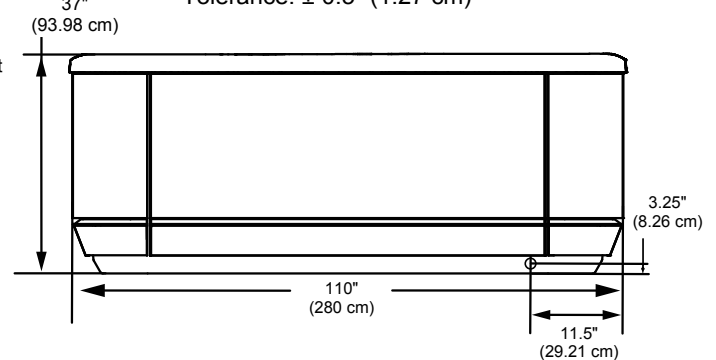
**FRONT VIEW**

Tolerance: ± 0.5" (1.27 cm)



**LEFT SIDE VIEW**

Tolerance: ± 0.5" (1.27 cm)



Dimensions/specifications subject to change without notice. Tolerance ±0.5" (1.27 cm)



**IMPORTANT! Always measure each hot tub for exact dimensions BEFORE designing its foundational support and/or decking.**

