


Jacuzzi J508L™

Specifications

Seating Capacity	6-7 Adults	
Dimensions	94" x 94" x 37", (239 cm x 239 cm x 94 cm); For Complete Dimensions, See page 73	
Dry Weight	1,065 lbs (483 kg)	
Filled Weight (Average Fill)	4,568 lbs (2,072 kg)	
Water Capacity (Average Fill)	420 US gallons (1,590 Liters)	
Electronic Controls	ProTouch Plus™ control panel, custom and preset therapy modes, user interface displays temperature, time, cycles and fingertip jet control. Offers customizing of programmed filtration cycles, heating modes and water temperature setting. Auxiliary control panel offers jets pump, IR and red light therapy and lighting.	
Pump 1	North America (60 Hz): 2-Speed, 5.1 HP break, 2.5 HP continuous, 56 Frame Export (50 Hz):..... 1-Speed, 2.0 HP continuous	
Pump 2	North America (60 Hz): 2-Speed, 5.1 HP break, 2.5 HP continuous, 56 Frame Export (50 Hz):..... 1-Speed, 2.0 HP continuous	
Circulation Pump	Yes, 8-Hour	
Total Jacuzzi® PowerPro® Jets	60 (plus 4 IR Therapy Lights)	
Seat A Jets	2 Jacuzzi® PowerPro® NX, 2 Jacuzzi® PowerPro® FX Large Rotational, 2 Jacuzzi® PowerPro® MX, 2 Jacuzzi® PowerPro® VX	
Seat B Jets	4 IR Therapy Lights	
Seat C Jets	2 Jacuzzi® PowerPro® NX, 4 Jacuzzi® PowerPro® FX, 2 Jacuzzi® PowerPro® VX Rotational, 2 Jacuzzi® PowerPro® FX Large Rotational, 2 Jacuzzi® PowerPro® VX	
Seat D Jets	2 Jacuzzi® PowerPro® FX Large Rotational	
Seat E	2 Jacuzzi® PowerPro® NX, 6 Jacuzzi® PowerPro® FX, 8 Jacuzzi® PowerPro® VX, 2 Jacuzzi® PowerPro® VX Rotational	
Seat F Jet	2 Jacuzzi® PowerPro® NX, 6 Jacuzzi® PowerPro® RX	
Footwell (G)	8 Jacuzzi® PowerPro® VX Rotational	
Massage Selectors	2	
Air Controls	4, On/Off rocker switch air controller (equipped with an illuminated ring)	
Water Management System	One ProClarity® Polishing filter cartridge on 8-hour circulation pump; Two ProClear® 50 ft² filter; One ProCatch Basket, One ProCatch Mesh filter; True Water® System Export (50 Hz):..... True Water® System	
LED Lighting	Waterfall light, underwater, and motion sensor exterior lights (standard)	
ProFinish™ Cabinet Colors	Flax and Noir	
Acrylic Colors	Platinum, Silver Pearl, Midnight, Morning Mist, Canyon, Monaco (while quantities last)	
Headrests	4	
Waterfall	Two with independent flow rate (on or off) adjustment; powered by 8-hour circulation pump	
Heater:	North America (60 Hz): 5.5 kW, High Flow Export (50 Hz): High Flow, 2.7 kW	
Electrical Requirements:	North America (60 Hz): 240 VAC@40A, 50A, or 60A Export (50 Hz): 220-240 VAC@ 1x32A, 2x16A, 3x16A or suitably rated circuit breaker to comply with local electrical codes. Certain countries may require dual power inputs; two GFCI RCD breakers are required for this configuration.	
Warranty*	North America (60 Hz): 10 Years Shell, 7 Years Shell Surface, 5 Years Plumbing Component Leaks, 5 Years Equipment and Controls, 5 Years Cabinet, 2 Years Jets, 2 Years Lights, 1 Year True Water® System, 1 Year Stereo; Export (50 Hz): 10 Years Shell, 7 Years Shell Surface, 5 Years Plumbing Component Leaks, 5 Years Equipment and Controls, 5 Years Cabinet, 2 Years Jets, 2 Years Lights, 2 Years Stereo, 1 Year True Water® System	
Special Features (Standard)	SmartTub® Module Export (50 Hz) (Optional): SmartTub® Module	
Audio System (Standard)	BLUEWAVE® Spa Stereo System with Bluetooth capability; 4 premium speakers, a powered subwoofer	

*(See Warranty Document for Specific Details)

Dimensions/Specifications are Subject to Change Without Notice

Jacuzzi J508L

Operation/Seat Depths

Air Control 2:
Opens/Closes
Air Inlet to Jets A

Air Control 3:
Opens/Closes
Air Inlet to Jets C

Auxiliary Control Panel

Massage Selector 1:
Directs Jet Pump 1
Output Between
Jets A or B

Waterfall Control:
Controls 8-Hour
Circulation Pump
Output to Both
Waterfalls

Massage Selector 2:
Directs Jet Pump 2
Output Between
Jets C or D

Waterfall Control:
Controls 8-Hour
Circulation Pump
Output to Both
Waterfalls

Air Control 1:
Opens/Closes
Air Inlet to Jets B

Air Control 4:
Opens/Closes
Air Inlet to Jets D

60 Total Jets (plus 4 IR Therapy Lights)

- Jacuzzi® PowerPro® NX Jets (8)
- Jacuzzi® PowerPro® RX Jets (6)
- Jacuzzi® PowerPro® FX Jets (12)
- Jacuzzi® PowerPro® FX Rotational Jets (4)
- Jacuzzi® PowerPro® FX Large Rotational Jets (6)
- Jacuzzi® PowerPro® VX Mini Jets (10)
- Jacuzzi® PowerPro® VX Jets (12)
- Jacuzzi® PowerPro® MX Jets (2)
- Jacuzzi® IR + Red Light Therapy Lights (4)

Spa Operation Subject to Change without Notice

Seat Depths

A = 27.00" (68.58 cm)
B = 22.25" (56.52 cm)
C = 27.88" (70.82 cm)
D = 17.63" (44.78 cm)
E = 27.50" (69.85 cm)

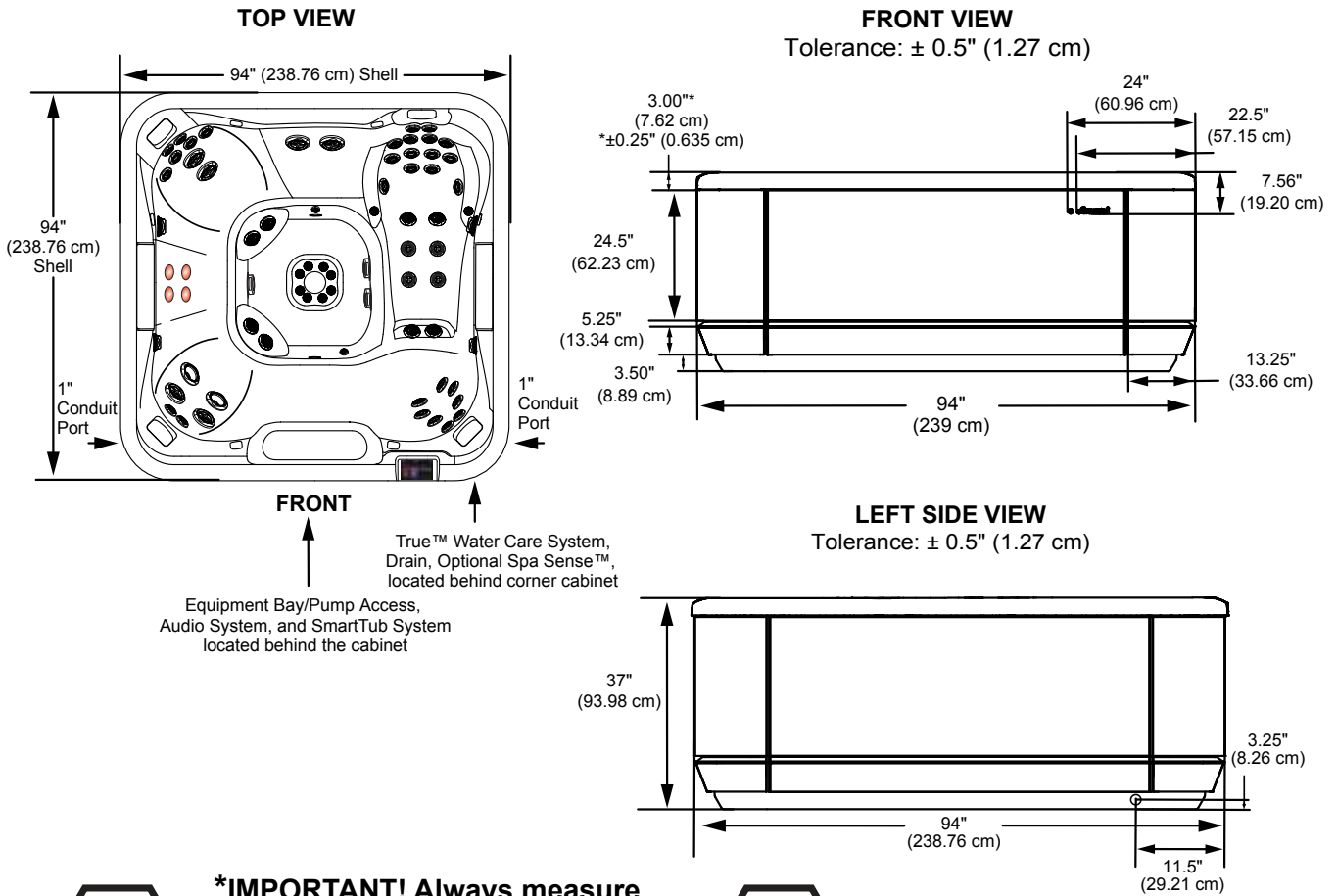
F = 28.38" (72.09 cm)
G = 27.25" (69.22 cm)
H = 17.63" (44.78 cm)
I = 32.25" (81.92 cm)

Listed dimensions represent distance from top of acrylic to lowest point in seat.
Tolerance ± 0.5" (1.27 cm).

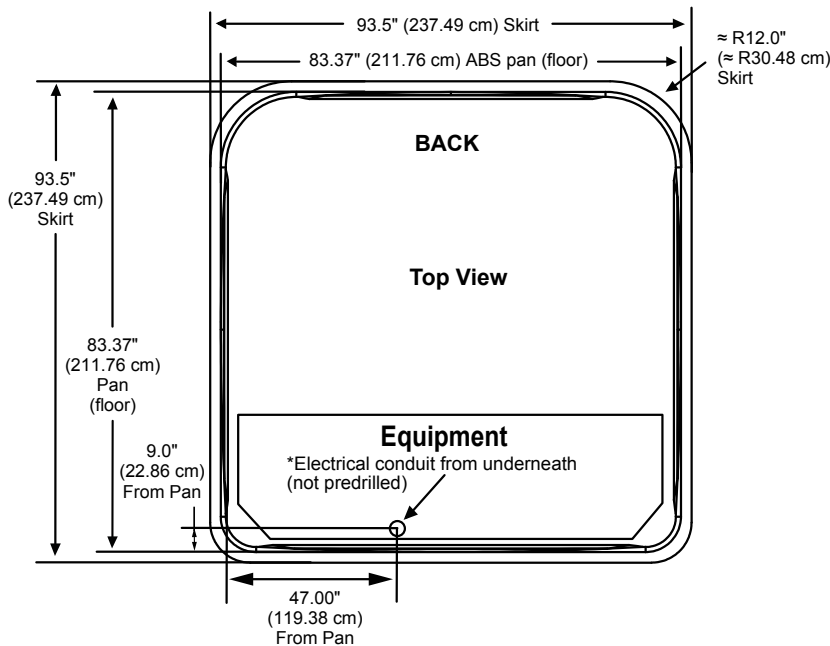


Jacuzzi J508L

Dimensions



***IMPORTANT! Always measure each hot tub for exact dimensions BEFORE designing its foundational support and/or decking.**



Dimensions/specifications subject to change without notice. Tolerance $\pm 0.5"$ (1.27 cm)