

# Jacuzzi J-385

## Specifications

Seating Capacity.....	6-7
Dimensions .....	91" x 91" x 37.50" (231 cm x 231 cm x 95.25 cm); <b>For complete dimensions, see page 81</b>
Dry Weight.....	850 lbs (386 kg)
Filled Weight (Spa Volume) .....	5,771 lbs (2,618 kg)
Filled Weight (Average Fill).....	4,686 lbs (2,126 kg)
Water Capacity (Spa Volume) .....	590 US gallons (2,233 Liters)
Water Capacity (Average Fill).....	460 US gallons (1,741 Liters)
Electronic Controls .....	Solid state electronic touchscreen controls, programmable temperature, filtration, and heat cycles
Pump 1.....	North America (60 Hz): 1-Speed, 4.8 HP brake, 2.5 HP continuous, 56 Frame <b>Export (50 Hz): .....1-Speed, 2.0 HP continuous</b>
Pump 2.....	North America (60 Hz): 1-Speed, 4.8 HP brake, 2.5 HP continuous, 56 Frame <b>Export (50 Hz): .....1-Speed, 2.0 HP continuous</b>
Circulation Pump.....	Yes, 8-hour
Heater .....	North America (60 Hz): 5.5kW High Flow <b>Export (50 Hz) .....2.7kW High Flow</b>
Total PowerPro® Jets.....	51
Seat A Jets .....	4 PowerPro® FX, 2 PowerPro® FX Large Rotational
Seat B Jets .....	1 PowerPro® FX Rotational, 2 PowerPro® FX Large
Seat C Jets .....	2 PowerPro® NX2, 2 PowerPro® FX Rotational, 4 PowerPro® FX, 2 PowerPro® FX Large
Seat D Jets .....	2 PowerPro® FX Large Rotational
Seat E Jets (Standard model).....	10 PowerPro® FX, 2 PowerPro® FX Rotational, 2 PowerPro® BX
Seat E Jets (optional IR Therapy) .....	8 PowerPro® FX, 2 IR Therapy Lights, 2 PowerPro® FX Rotational, 2 PowerPro® BX
Seat E HYDROSOOTHE™ Jets.....	2 PowerPro® FX Directional with independent flow rate valve
Seat F Jets.....	2 PowerPro® NX2, 3 PowerPro® MX
Footwell (G).....	8 PowerPro® FX Small, 1 PowerPro® FX
Massage Selectors .....	2
Air Controls.....	4, On/Off rocker switch air controller
Water Management System.....	Two 60 ft² Filter cartridges; filter 1 on 8-hour circulation pump; filter 2 on jets pump 1; Factory installed ClearRay Active Oxygen® System; <b>Optional</b> True™ Water System (Must order with SmartTub® option) <b>Export (50 Hz): .....ClearRay® UV-C System</b>
LED Lighting .....	One underwater prolite with 4 color modes, one colored waterfall light, cup holders, 2 HYDROSOOTHE pillow lights, and exterior lights
ProFinish™ Cabinet Colors .....	Modern Hardwood, Brushed Gray, and Smoked Ebony
Acrylic Colors .....	Platinum, Silver Pearl, Monaco, Midnight, Porcelain (while quantities last)
Headrests .....	4
Waterfalls .....	One independent flow rate (on or off) adjustment; powered by the circulation pump
Heater:.....	North America (60 Hz): 5.5 kW, High Flow <b>Export (50 Hz): .....High Flow, 2.7 kW</b>
Electrical Requirements: .....	North America (60 Hz): 240 VAC@40A, 50A, or 60A <b>Export (50 Hz): 220-240 VAC@1x32A, 1x20A/1x16A, 3x16A or suitably rated circuit breaker to comply with local electrical codes. Certain countries may require dual power inputs; two GFCI RCD breakers are required for this configuration.</b>
Warranty*.....	North America (60 Hz): 10 Years Shell, 7 Years Shell Surface, 5 Years for Plumbing Component Leaks, 5 Years Equipment and Controls, 5 Years Cabinet, 2 Years Jets, 2 Years Lights, 1 Year Stereo; <b>Export (50 Hz): 10 Years Shell, 7 Years Shell Surface, 5 Years Plumbing Component Leaks, 5 Years Equipment and Controls, 5 Years Cabinet, 2 Years Jets, 2 Years Lights, 2 Years Stereo</b>
Special Features (Optional).....	SmartTub® Module (Must order with the True™ Water Sytem), 2 IR Therapy Lights
Audio System (Optional).....	BLUEWAVE® Spa Stereo System (Bluetooth/Aux compatible) with four speakers and a subwoofer



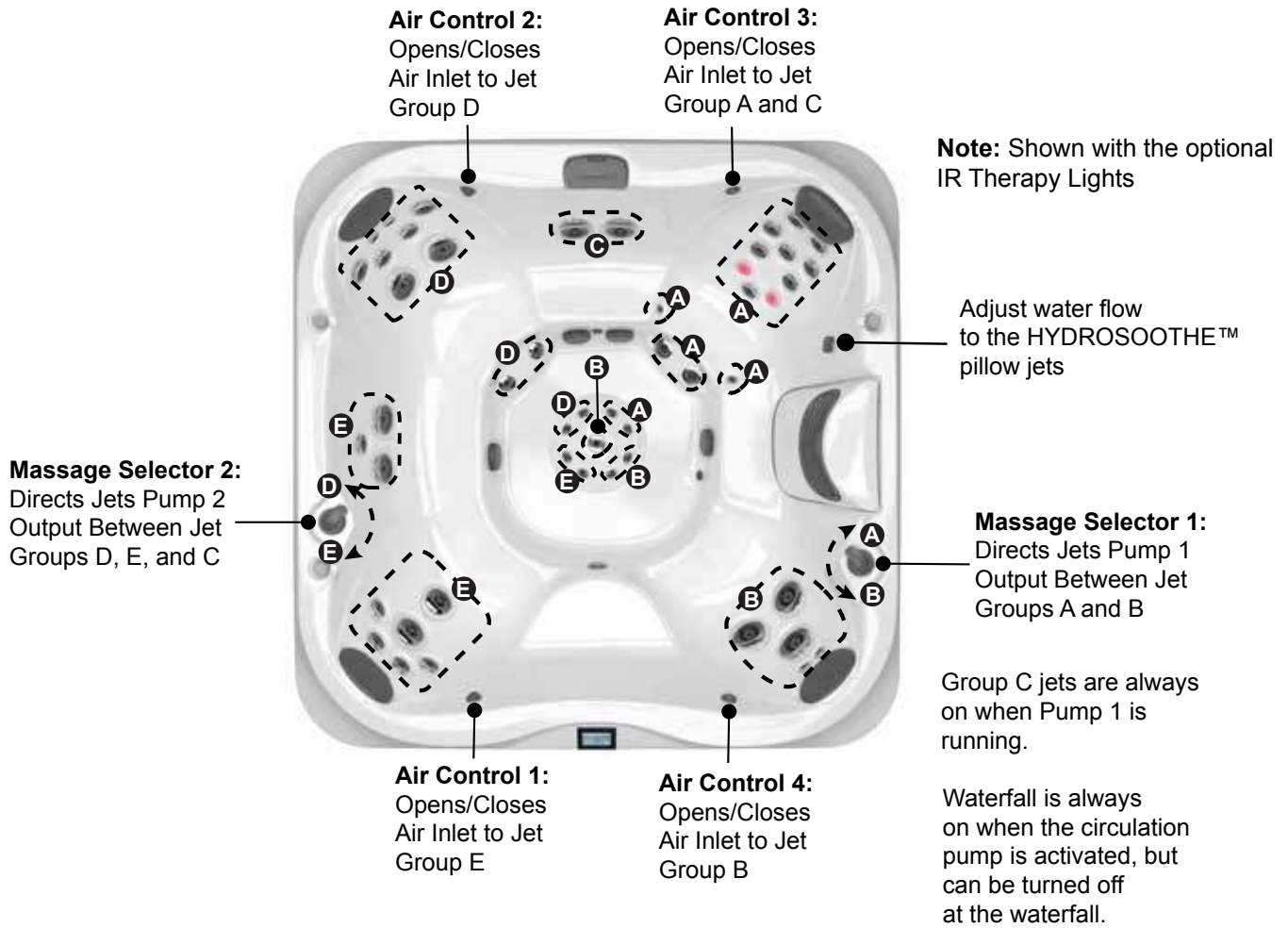
Shown with the optional IR Therapy Lights

\*(See Warranty Document for Specific Details)

Dimensions/Specifications are Subject to Change Without Notice

# Jacuzzi J-385

## Operation/Seat Depths



### 51 Total Jets



Spa Operation Subject to Change without Notice

## Seat Depths

**A = 26.50" (67.31 cm)**  
**B = 25.00" (63.50 cm)**  
**C = 26.75" (67.95 cm)**  
**D = 23.25" (59.06 cm)**  
**E = 28.25" (71.76 cm)**

**F = 27.13" (68.90 cm)**  
**G = 17.00" (43.18 cm)**  
**H = 33.25" (84.46 cm)**

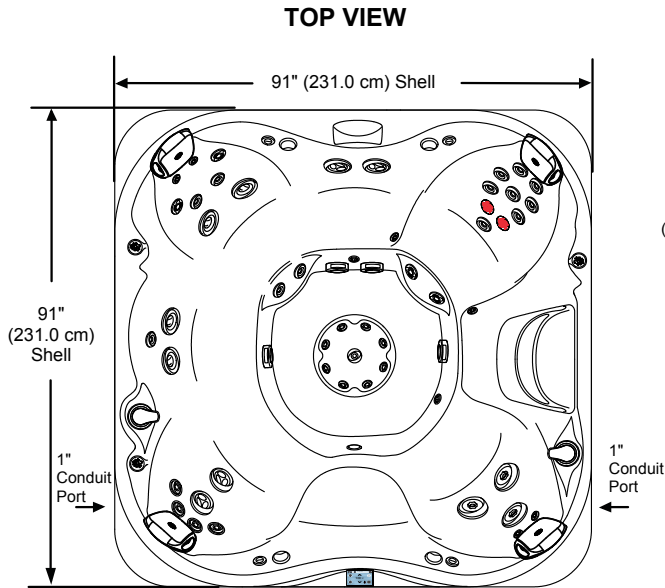
Listed dimensions represent distance from top of acrylic to lowest point in seat. Tolerance  $\pm 0.5"$  (1.27 cm).



Dimensions/Specifications are Subject to Change Without Notice

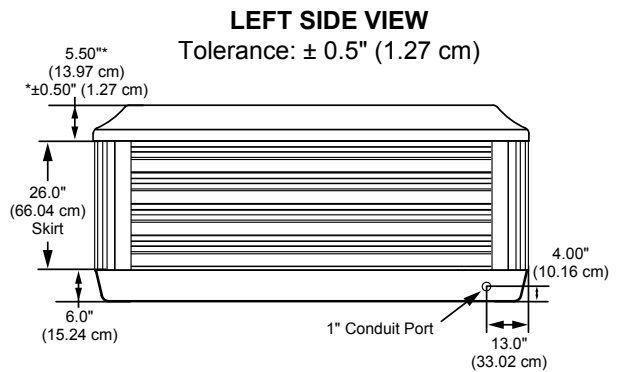
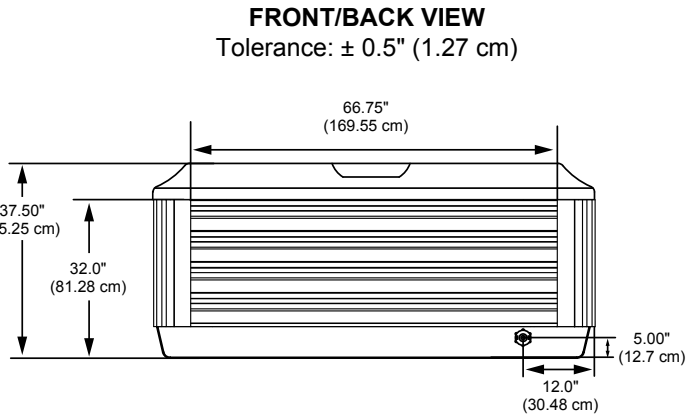
# Jacuzzi J-385

## Dimensions

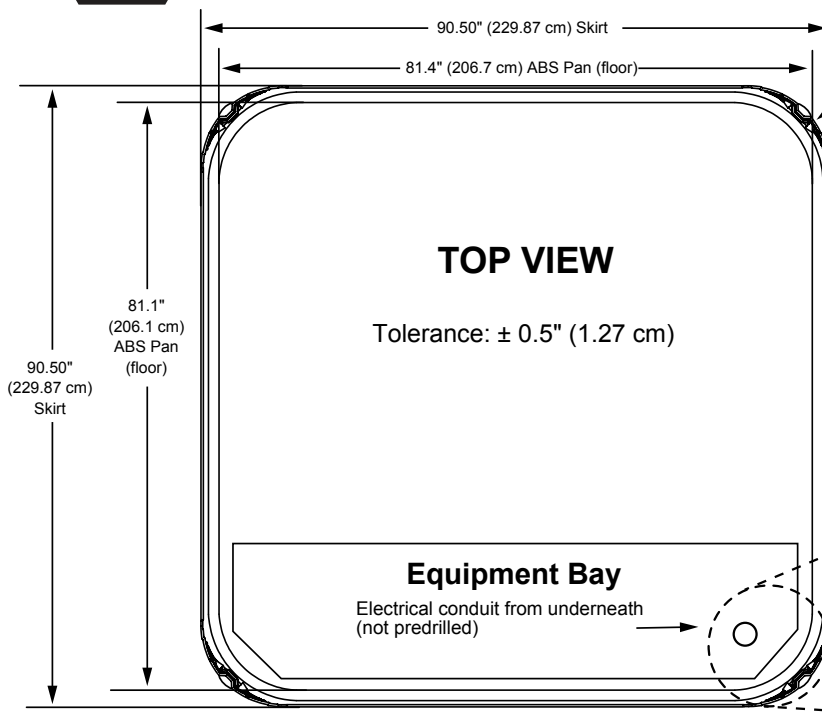


**FRONT**

Equipment Bay/Pump Access  
ClearRay Active Oxygen,  
Optional BLUEWAVE,  
and Optional SmartTub Module  
behind skirt panels



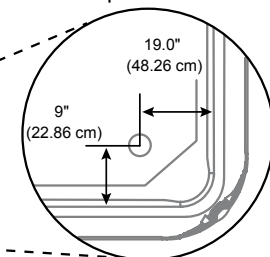
**IMPORTANT! Always measure each hot tub for exact dimensions BEFORE designing its foundational support and/or decking.**



### Important Panel Details

**NOTE:** Over time the panel(s) may bow, this is considered normal. The panels will straighten out when reinstalled into the mounting channel. Place one end of the panel into the channel first then flatten the panel and insert the other end.

From the edge of the ABS pan



Dimensions/specifications subject to change without notice. Tolerance  $\pm 0.5"$  (1.27 cm)