

Jacuzzi J-375

Specifications

Seating Capacity.....	5-6 Adults
Dimensions	91" x 91" x 37.50" (231 cm x 231 cm x 95.25 cm); For complete dimensions, see page 81
Dry Weight.....	830 lbs (376 kg)
Filled Weight (Spa Volume)	5,667 lbs (2,571 kg)
Filled Weight (Average Fill)	4,541 lbs (2,060 kg)
Water Capacity (Spa Volume).....	580 US gallons (2,196 Liters)
Water Capacity (Average Fill).....	445 US gallons (1,685 Liters)
Electronic Controls	Solid state electronic touchscreen controls, programmable temperature, filtration, and heat cycles
Pump 1.....	North America (60 Hz): 1-Speed, 4.8 HP brake, 2.5 HP continuous, 56 Frame
Export (50 Hz):	1-Speed, 2.0 HP continuous
Pump 2.....	North America (60 Hz): 1-Speed, 4.8 HP brake, 2.5 HP continuous, 56 Frame
Export (50 Hz):	1-Speed, 2.0 HP continuous
Circulation Pump.....	Yes, 8-hour
Heater	North America (60 Hz): 5.5kW High Flow
Export (50 Hz)	2.7kW High Flow
Total PowerPro® Jets	52
Seat A Jets	2 PowerPro® NX2, 2 PowerPro® FX Large, 2 PowerPro® FX Rotational, 2 PowerPro® FX
Seat B Jets	4 PowerPro® FX, 2 PowerPro® FX Large Rotational, 12 PowerPro® BX, 2 PowerPro® FX Rotational
Seat C Jets	1 PowerPro® FX Large Rotational
Seat D Jets (Standard model).....	10 PowerPro® FX, 2 PowerPro® FX Rotational
Seat D Jets (optional IR Therapy) ..	8 PowerPro® FX, 2 IR Therapy Lights, 2 PowerPro® FX Rotational
Seat D HYDROSOOTHE™ Jets.....	2 PowerPro® FX Directional with independent flow rate valve
Seat E Jets	2 PowerPro® NX2, 3 PowerPro® MX, 2 PowerPro® FX
Footwell (F)	2 PowerPro® MX
Massage Selectors	2
Air Controls.....	4, On/Off rocker switch air controller
Water Management System.....	Two 60 ft ² Filter cartridges; filter 1 on 8-hour circulation pump; filter 2 on jets pump 1; Factory installed ClearRay Active Oxygen® System; Optional True™ Water System (Must order with SmartTub® option)
Export (50 Hz):	ClearRay® UV-C System
LED Lighting	One underwater prolite with 4 color modes, one colored waterfall light, cup holders, 2 HYDROSOOTHE pillow lights, and exterior lights
ProFinish™ Cabinet Colors	Modern Hardwood, Brushed Gray, and Smoked Ebony
Acrylic Colors	Platinum, Silver Pearl, Monaco, Midnight, Porcelain (while quantities last)
Headrests	4
Waterfalls	One independent flow rate (on or off) adjustment; powered by the circulation pump
Heater:	North America (60 Hz): 5.5 kW, High Flow
Export (50 Hz):	High Flow, 2.7 kW
Electrical Requirements:	North America (60 Hz): 240 VAC@40A, 50A, or 60A Export (50 Hz): 220-240 VAC@1x32A, 1x20A/1x16A, 3x16A, or suitably rated circuit breaker to comply with local electrical codes. Certain countries may require dual power inputs; two GFCI RCD breakers are required for this configuration.
Warranty*.....	North America (60 Hz): 10 Years Shell, 7 Years Shell Surface, 5 Years for Plumbing Component Leaks, 5 Years Equipment and Controls, 5 Years Cabinet, 2 Years Jets, 2 Years Lights, 1 Year Stereo; Export (50 Hz): 10 Years Shell, 7 Years Shell Surface, 5 Years Plumbing Component Leaks, 5 Years Equipment and Controls, 5 Years Cabinet, 2 Years Jets, 2 Years Lights, 2 Years Stereo
Special Features (Optional).....	SmartTub® Module (Must order with the True™ Water Sytem), 2 IR Therapy Lights
Audio System (Optional).....	BLUEWAVE® Spa Stereo System (Bluetooth/Aux compatible) with four speakers and subwoofer



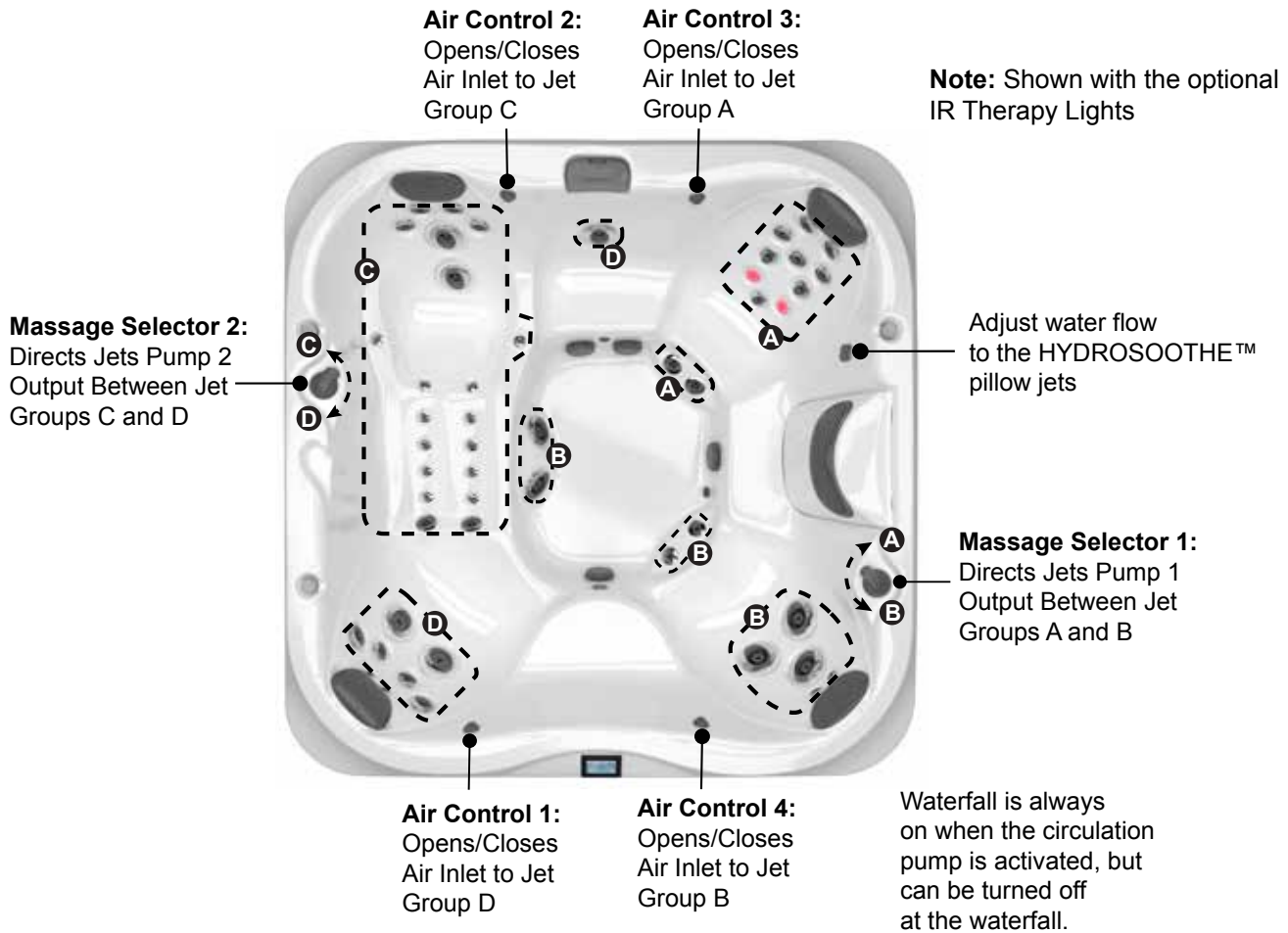
Shown with the optional IR Therapy Lights

*(See Warranty Document for Specific Details)

Dimensions/Specifications are Subject to Change Without Notice

Jacuzzi J-375

Operation/Seat Depths



52 Total Jets



Spa Operation Subject to Change without Notice

Seat Depths

A = 26.50" (67.31 cm)
B = 27.50" (69.85 cm)
C = 23.50" (59.69 cm)
D = 28.25" (71.76 cm)
E = 27.25" (69.22 cm)

F = 17.00" (43.18 cm)
G = 34.00" (86.36 cm)

Listed dimensions represent distance from top of acrylic to lowest point in seat. Tolerance $\pm 0.5"$ (1.27 cm).

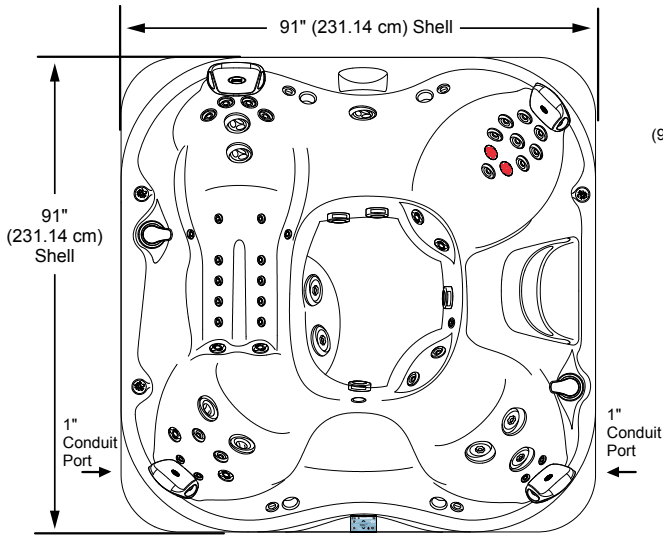


Dimensions/Specifications are Subject to Change Without Notice

Jacuzzi J-375

Dimensions

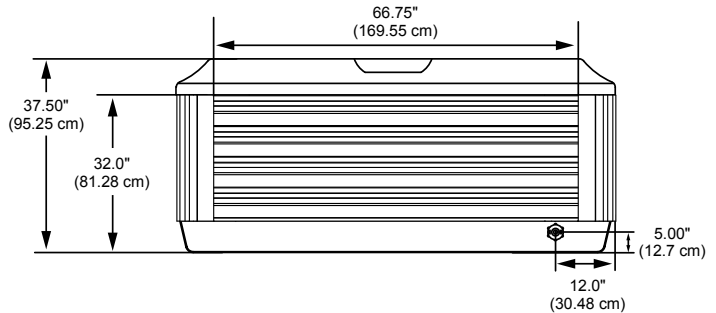
TOP VIEW



FRONT
Equipment Bay/Pump Access
ClearRay Active Oxygen,
Optional BLUEWAVE,
and Optional SmartTub Module
behind skirt panels

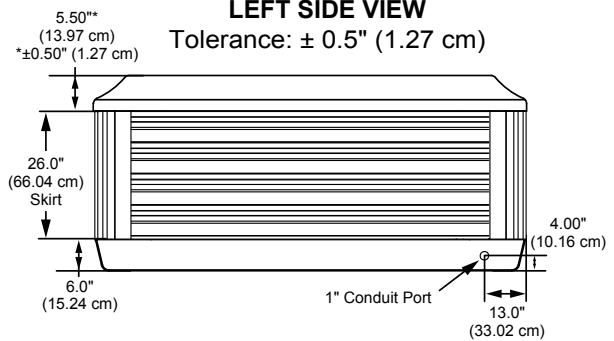
FRONT/BACK VIEW

Tolerance: $\pm 0.5"$ (1.27 cm)

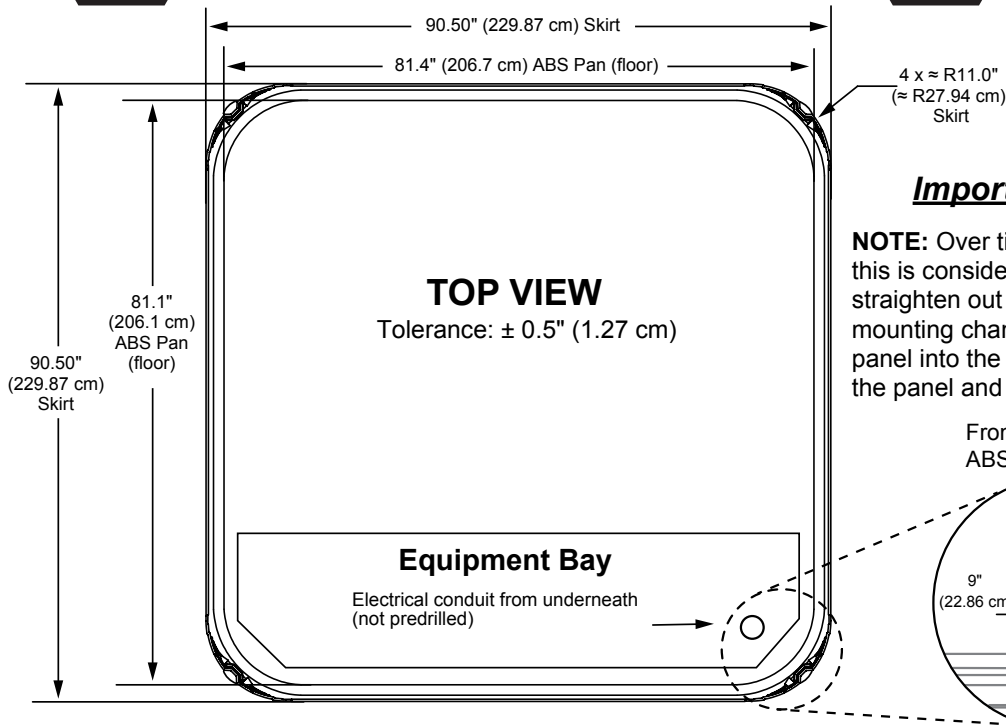


LEFT SIDE VIEW

Tolerance: $\pm 0.5"$ (1.27 cm)



IMPORTANT! Always measure each hot tub for exact dimensions BEFORE designing its foundational support and/or decking.



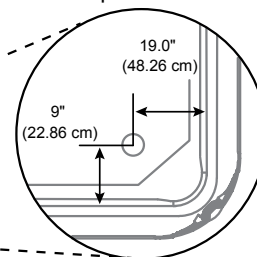
TOP VIEW

Tolerance: $\pm 0.5"$ (1.27 cm)

Important Panel Details

NOTE: Over time the panel(s) may bow, this is considered normal. The panels will straighten out when reinstalled into the mounting channel. Place one end of the panel into the channel first then flatten the panel and insert the other end.

From the edge of the ABS pan



Dimensions/specifications subject to change without notice. Tolerance $\pm 0.5"$ (1.27 cm)