

Jacuzzi J-355

Specifications

Seating Capacity.....	5-6 Adults
Dimensions	84" x 91" x 37.50" (213.5 cm x 231 cm x 95.25 cm); For Complete Dimensions, See page 81
Dry Weight.....	813 lbs (369 kg)
Filled Weight (Spa Volume)	4,900 lbs (1,855 kg)
Filled Weight (Average Fill).....	3,815 lbs (1,731 kg)
Water Capacity (Spa Volume)	490 US gallons (1,855 Liters)
Water Capacity (Average Fill)	360 US gallons (1,363 Liters)
Electronic Controls	Solid state electronic touchscreen controls, programmable temperature, filtration, and heat cycles
Pump 1.....	North America (60 Hz): 1-Speed, 4.8 HP brake, 2.5 HP continuous, 56 Frame Export (50 Hz):1-Speed, 2.0 HP continuous
Pump 2.....	North America (60 Hz): 1-Speed, 4.8 HP brake, 2.5 HP continuous, 56 Frame Export (50 Hz):1-Speed, 2.0 HP continuous
Circulation Pump.....	Yes, 8-hour
Heater	North America (60 Hz): 5.5kW High Flow Export (50 Hz)2.7kW High Flow
Total PowerPro® Jets.....	44
Seat A Jets	2 PowerPro® NX2, 3 PowerPro® MX
Seat B Jets	2 PowerPro® FX Large
Seat C Jets (Standard model).....	10 PowerPro® FX, 2 PowerPro® FX Rotational
Seat C Jets (optional IR Therapy)	8 PowerPro® FX, 2 IR Therapy Lights, 2 PowerPro® FX Rotational
Seat C HYDROSOOTHE™ Jets	2 PowerPro® FX Directional with independent flow rate valve
Seat D Jets	1 PowerPro® FX Large Rotational
Seat E Jets	4 PowerPro® FX, 2 PowerPro® FX Large Rotational, 12 PowerPro® BX, 2 PowerPro® FX Rotational
Footwell (F)	2 PowerPro® MX
Massage Selectors	2
Air Controls.....	3, On/Off rocker style
Water Management System.....	Two 60 ft ² filter cartridges; filter 1 on 8-hour circulation pump; filter 2 on jets pump 1; Factory installed ClearRay Active Oxygen® System; Optional True™ Water System (Must order with SmartTub® option) Export (50 Hz):ClearRay® UV-C System
LED Lighting	One underwater light with 4 color modes, one colored waterfall light, cup holders, 2 HYDROSOOTHE pillow lights, and exterior lights
ProFinish™ Cabinet Colors.....	Modern Hardwood, Brushed Gray, and Smoked Ebony
Acrylic Colors	Platinum, Silver Pearl, Monaco, Midnight, Porcelain (while quantities last)
Headrests	3
Waterfalls	One independent flow rate (on or off) adjustment; powered by the circulation pump
Heater:	North America (60 Hz): 5.5 kW, High Flow Export (50 Hz):High Flow, 2.7 kW
Electrical Requirements:.....	North America (60 Hz): 240 VAC@40A, 50A, or 60A Export (50 Hz): 220-240 VAC@1x32A, 1x20A/1x16A, 3x16A, or suitably rated circuit breaker to comply with local electrical codes. Certain countries may require dual power inputs; two GFCI RCD Breakers are required for this configuration.
Warranty*.....	North America (60 Hz): 10 Years Shell, 7 Years Shell Surface, 5 Years for Plumbing Component Leaks, 5 Years Equipment and Controls, 5 Years Cabinet, 2 Years Jets, 2 Years Lights, 1 Year Stereo; Export (50 Hz): 10 Years Shell, 7 Years Shell Surface, 5 Years Plumbing Component Leaks, 5 Years Equipment and Controls, 5 Years Cabinet, 2 Years Jets, 2 Years Lights, 2 Years Stereo
Special Features (Optional).....	SmartTub® Module (Must order with the True™ Water System), 2 IR Therapy Lights
Audio System (Optional).....	BLUEWAVE® Spa Stereo System (Bluetooth/Aux compatible) with four speakers and subwoofer



Shown with the optional IR Therapy Lights

*(See Warranty Document for Specific Details)

Dimensions/Specifications are Subject to Change Without Notice

Jacuzzi J-355

Operation/Seat Depths

Note: Shown with the optional IR Therapy Lights

Air Control 2:
Opens/Closes
Air Inlet to
Jets C, D and E

Air Control 3:
Opens/Closes
Air Inlet to Jets A

Adjust water flow
to the HYDROSOOTHE™
pillow jets

Massage Selector 2:
Directs Jet Pump 2
Output Between
Jets D or F

Massage Selector 1:
Directs Jet Pump 1
Output Between
Jets A, B or C

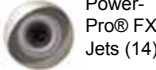
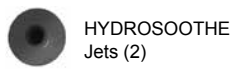
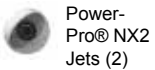


Waterfall is always
on when the circulation
pump is activated, but
can be turned off
at the waterfall.

Group E jets are always
on when Pump 2 is
running.

Air Control 1:
Opens/Closes
Air Inlet to Jets B
and F

44 Total Jets



Spa Operation Subject to Change without Notice

Seat Depths

A = 25.25" (64.14 cm)

B = 26.50" (67.31 cm)

C = 28.75" (73.02 cm)

D = 21.25" (53.98 cm)

E = 27.00" (68.58 cm)

F = 9.25" (23.50 cm)

G = 13.50" (34.29 cm)

H = 33.25" (84.45 cm)

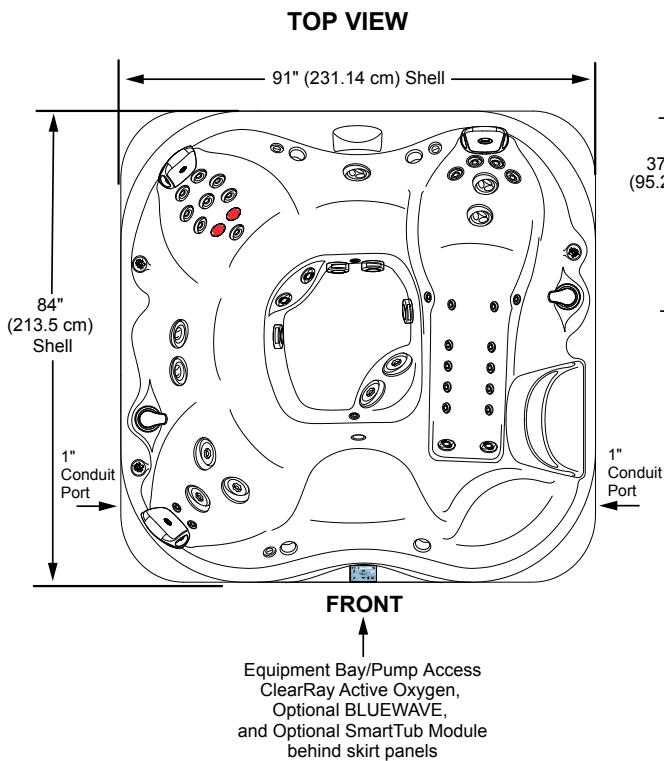
Listed dimensions
represent distance
from top of acrylic to
lowest point in seat.
Tolerance ± 0.5"
(1.27 cm).



Dimensions/Specifications are Subject to Change Without Notice

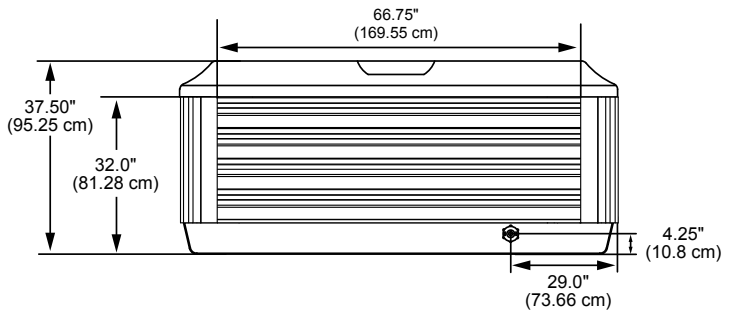
Jacuzzi J-355

Dimensions



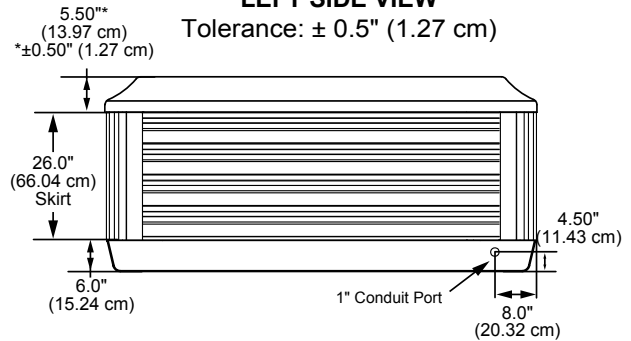
FRONT/BACK VIEW

Tolerance: $\pm 0.5"$ (1.27 cm)

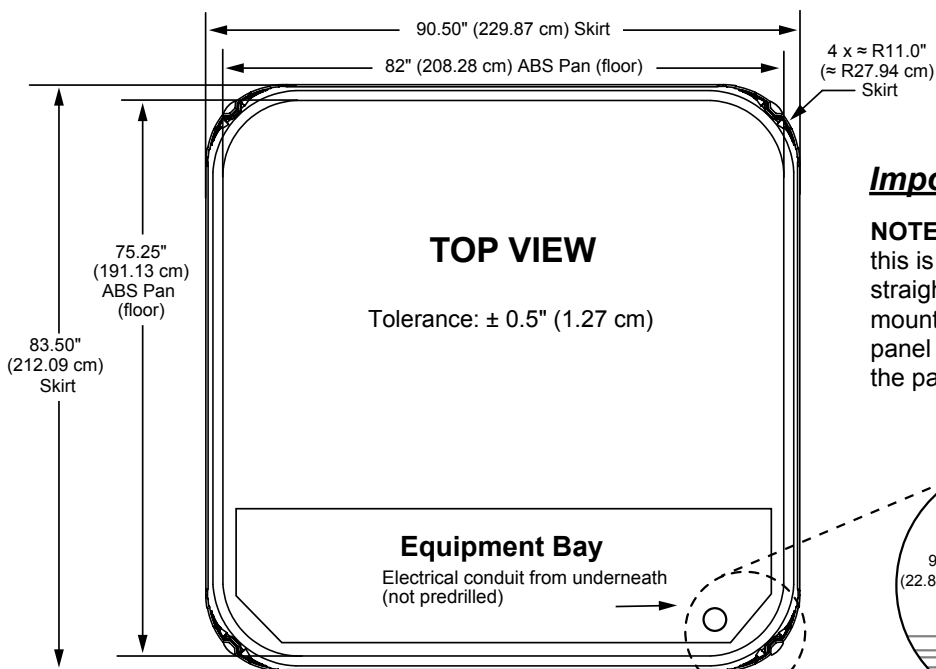


LEFT SIDE VIEW

Tolerance: $\pm 0.5"$ (1.27 cm)

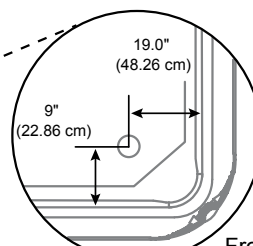


IMPORTANT! Always measure each hot tub for exact dimensions BEFORE designing its foundational support and/or decking.



Important Panel Details

NOTE: Over time the panel(s) may bow, this is considered normal. The panels will straighten out when reinstalled into the mounting channel. Place one end of the panel into the channel first then flatten the panel and insert the other end.



From the edge of

Dimensions/specifications subject to change without notice. Tolerance $\pm 0.5"$ (1.27 cm)