


Jacuzzi J-345

Specifications

Seating Capacity	6-7 Adults	
Dimensions	84" x 84" x 36" (213.5 cm x 213.5 cm x 91.44 cm); For Complete Dimensions, See page 81	
Dry Weight	777 lbs (352 kg)	
Filled Weight (Spa Volume)	4,488 lbs (2,036 kg)	
Filled Weight (Average Fill)	3,654 lbs (1,306 kg)	
Water Capacity (Spa Volume)	445 US gallons (1,685 Liters)	
Water Capacity (Average Fill)	345 US gallons (1,306 Liters)	
Electronic Controls	Solid state electronic touchscreen controls, programmable temperature, filtration, and heat cycles	
Pump 1	North America (60 Hz): 1-Speed, 4.8 HP brake, 2.5 HP continuous, 56 Frame	
Export (50 Hz):	1-Speed, 2.0 HP continuous	
Pump 2	North America (60 Hz): 1-Speed, 4.8 HP brake, 2.5 HP continuous, 56 Frame	
Export (50 Hz):	1-Speed, 2.0 HP continuous	
Circulation Pump	Yes, 8-hour	
Heater	North America (60 Hz): 5.5kW High Flow	
Export (50 Hz)	2.7kW High Flow	
Total PowerPro® Jets	41	
Seat A Jets	4 PowerPro® FX, 2 PowerPro® FX Large Rotational, 2 PowerPro® FX Small	
Seat B Jets	2 PowerPro® FX	
Seat C Jets	3 PowerPro® MX, 2 PowerPro® FX Rotational, 2 PowerPro® FX Small	
Seat D Jets	1 PowerPro® FX Large Rotational	
Seat E Jets (Standard model)	10 PowerPro® FX, 2 PowerPro® FX Small	
Seat E Jets (optional IR Therapy) ..	8 PowerPro® FX, 2 IR Therapy Lights, 2 PowerPro® FX Small	
Seat E HYDROSOOTHE™ Jets	2 PowerPro® FX Directional with independent flow rate valve	
Seat F Jets	2 PowerPro® FX Large, 2 PowerPro® FX Rotational, 2 PowerPro® FX, 2 PowerPro® FX Small	
Footwell (G)	8 PowerPro® FX Small, 1 PowerPro® FX	
Massage Selectors	2	
Air Controls	4, On/Off rocker style	
Water Management System	Two 60 ft ² filter cartridges; filter 1 on 8-hour circulation pump; filter 2 on jets pump 1; Factory installed ClearRay Active Oxygen® System; Optional True™ Water System (Must order with SmartTub® option)	
Export (50 Hz):	ClearRay® UV-C System	
LED Lighting	One underwater light with 4 color modes, one colored waterfall light, cup holders, 2 HYDROSOOTHE pillow lights, and exterior lights	
ProFinish™ Cabinet Colors	Modern Hardwood, Brushed Gray, and Smoked Ebony	
Acrylic Colors	Platinum, Silver Pearl, Monaco, Midnight, Porcelain (while quantities last)	
Headrests	4	
Waterfall	One independent flow rate (on or off) adjustment; powered by the circulation pump	
Heater:	North America (60 Hz): 5.5 kW, High Flow	
Export (50 Hz):	High Flow, 2.7 kW	
Electrical Requirements:	North America (60 Hz): 240 VAC@40A, 50A, or 60A Export (50 Hz): 220-240 VAC@1x32A, 1x20A/1x16A, 3x16A, or suitably rated circuit breaker to comply with local electrical codes. Certain countries may require dual power inputs; two GFCI RCD breakers are required for this configuration.	
Warranty*	North America (60 Hz): 10 Years Shell, 7 Years Shell Surface, 5 Years for Plumbing Component Leaks, 5 Years Equipment and Controls, 5 Years Cabinet, 2 Years Jets, 2 Years Lights, 1 Year Stereo; Export (50 Hz): 10 Years Shell, 7 Years Shell Surface, 5 Years Plumbing Component Leaks, 5 Years Equipment and Controls, 5 Years Cabinet, 2 Years Jets, 2 Years Lights, 2 Years Stereo	
Special Features (Optional)	SmartTub® Module (Must order with the True™ Water Sytem), 2 IR Therapy Lights	
Audio System (Optional)	BLUEWAVE® Spa Stereo System (Bluetooth/Aux compatible) with four speakers and subwoofer	

Shown with the optional
IR Therapy Lights

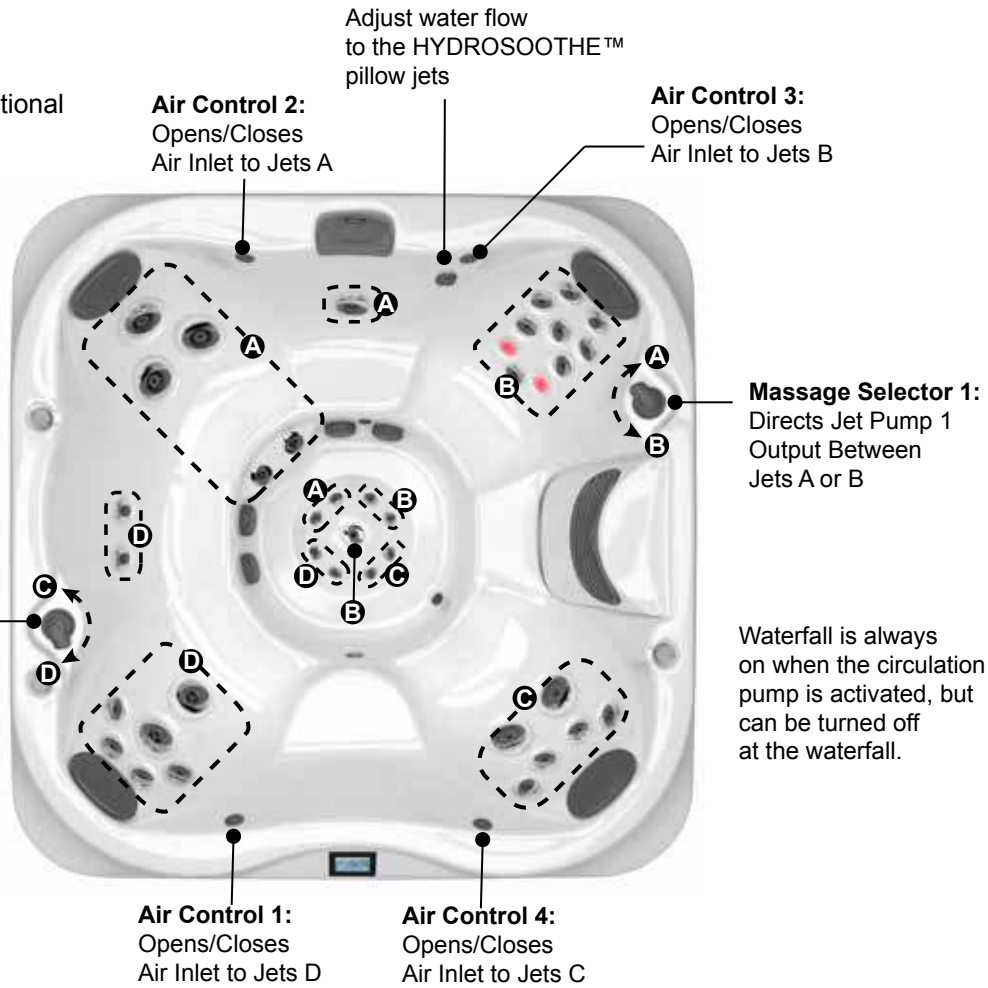
*(See Warranty Document for Specific Details)

Dimensions/Specifications are Subject to Change Without Notice

Jacuzzi J-345

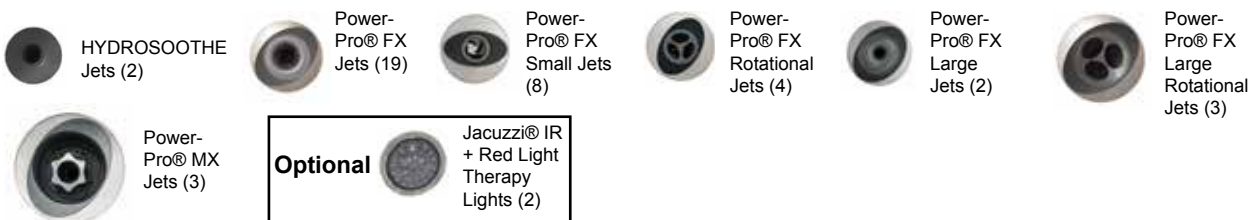
Operation/Seat Depths

Note: Shown with the optional IR Therapy Lights



Waterfall is always on when the circulation pump is activated, but can be turned off at the waterfall.

41 Total Jets



Spa Operation Subject to Change without Notice

Seat Depths

- A = 25.25" (64.1 cm)**
- B = 25.25" (64.1 cm)**
- C = 25.13" (63.8 cm)**
- D = 23.50" (59.7 cm)**
- E = 28.50" (72.4 cm)**

- F = 25.13" (63.8 cm)**
- G = 16.75" (42.5 cm)**
- H = 33.50" (85.1 cm)**

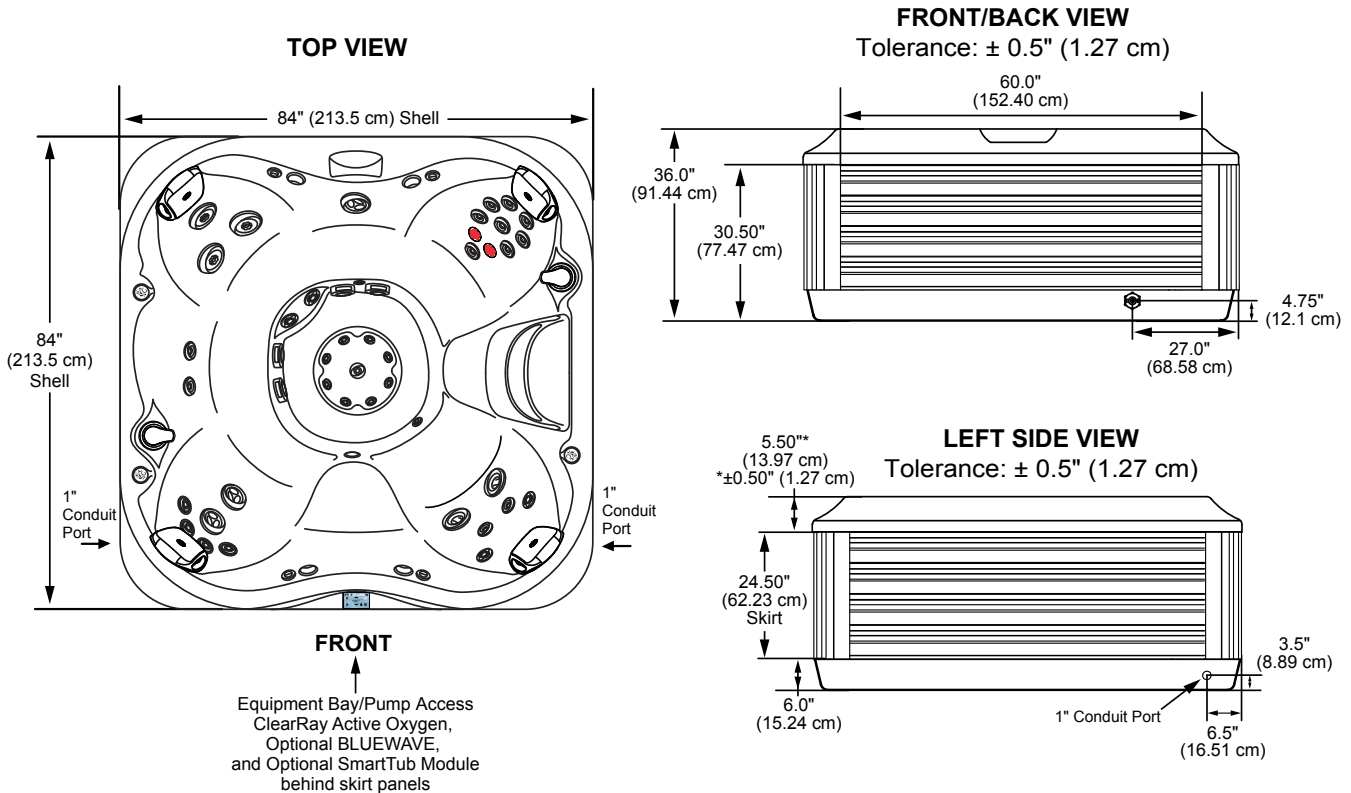
Listed dimensions represent distance from top of acrylic to lowest point in seat. Tolerance $\pm 0.5"$ (1.27 cm).



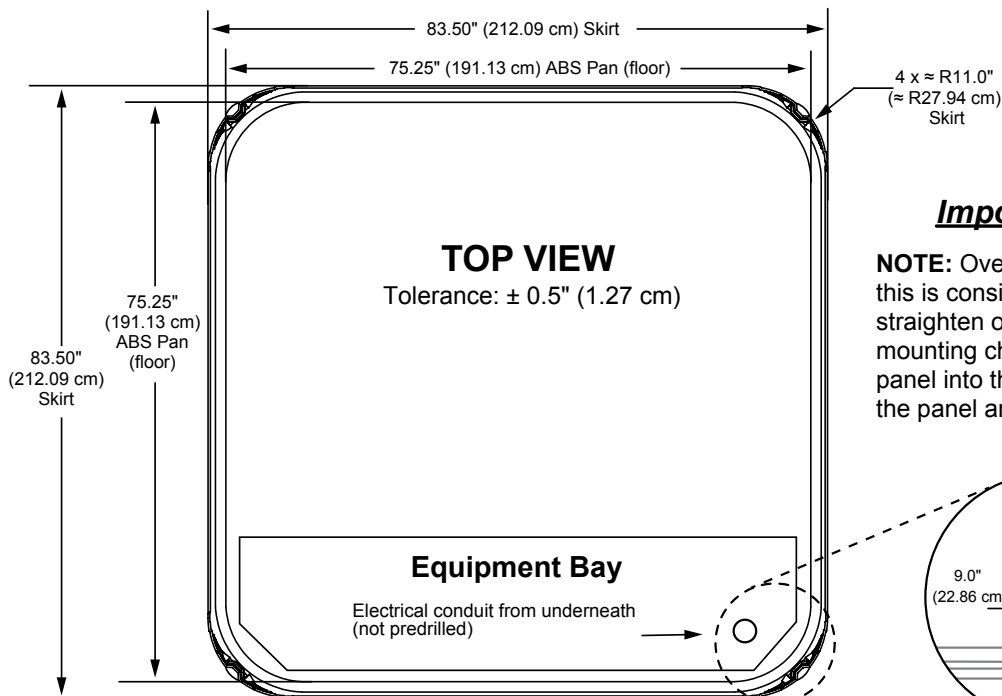
Dimensions/Specifications are Subject to Change Without Notice

Jacuzzi J-345

Dimensions

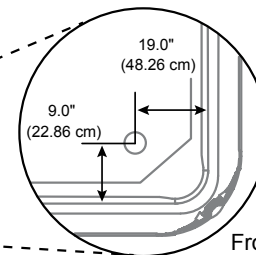


IMPORTANT! Always measure each hot tub for exact dimensions **BEFORE** designing its foundational support and/or decking.



Important Panel Details

NOTE: Over time the panel(s) may bow, this is considered normal. The panels will straighten out when reinstalled into the mounting channel. Place one end of the panel into the channel first then flatten the panel and insert the other end.



From the edge of the ABS pan

Dimensions/specifications subject to change without notice. Tolerance $\pm 0.5"$ (1.27 cm)