

Jacuzzi J-335

Specifications

Seating Capacity.....	5-6 Adults
Dimensions	84" x 84" x 36" (213.5 cm x 213.5 cm x 91.44 cm); For Complete Dimensions, See page 81
Dry Weight.....	764 lbs (347 kg)
Filled Weight (Spa Volume)	4,684 lbs (2,125 kg)
Filled Weight (Average Fill).....	3,683 lbs (1,671 kg)
Water Capacity (Spa Volume).....	450 US gallons (1,703 Liters)
Water Capacity (Average Fill).....	350 US gallons (1,325 Liters)
Electronic Controls	Solid state electronic touchscreen controls, programmable temperature, filtration, and heat cycles
Pump 1.....	North America (60 Hz): 1-Speed, 4.8 HP brake, 2.5 HP continuous, 56 Frame
Export (50 Hz):	1-Speed, 2.0 HP continuous
Pump 2.....	North America (60 Hz): 1-Speed, 4.8 HP brake, 2.5 HP continuous, 56 Frame
Export (50 Hz):	1-Speed, 2.0 HP continuous
Circulation Pump.....	Yes, 8-hour
Heater	North America (60 Hz): 5.5 kW High Flow
Export (50 Hz)	2.7 kW High Flow
Total PowerPro® Jets.....	42
Seat A Jets	2 PowerPro® FX Large Rotational
Seat B Jets	4 PowerPro® FX, 1 PowerPro® FX Large Rotational, 12 PowerPro® BX
Seat C Jets	1 PowerPro® FX Large Rotational
Seat D Jets (Standard model).....	10 PowerPro® FX, 2 PowerPro® FX Rotational
Seat D Jets (optional IR Therapy)	8 PowerPro® FX, 2 IR Therapy Lights, 2 PowerPro® FX Rotational
Seat D HYDROSOOTHE™ Jets	2 PowerPro® FX Directional with independent flow rate valve
Seat E Jets	2 PowerPro® FX, 2 PowerPro® FX Rotational, 2 PowerPro® FX Large
Footwell (F)	2 PowerPro® MX
Massage Selectors	2
Air Controls.....	3, On/Off rocker style
Water Management System.....	Two 60 ft ² filter cartridges; filter 1 on 8-hour circulation pump; filter 2 on jets pump 1; Factory installed ClearRay Active Oxygen® System; Optional True™ Water System (Must order with SmartTub® option)
Export (50 Hz):	ClearRay® UV-C System
LED Lighting	One underwater light with 4 color modes, one colored waterfall light, cup holders, 2 HYDROSOOTHE pillow lights, and exterior lights
ProFinish™ Cabinet Colors	Modern Hardwood, Brushed Gray, and Smoked Ebony
Acrylic Colors	Platinum, Silver Pearl, Monaco, Midnight, Porcelain (while quantities last)
Headrests	4
Waterfall	One independent flow rate (on or off) adjustment; powered by the circulation pump
Heater:.....	North America (60 Hz): 5.5 kW, High Flow
Export (50 Hz):	High Flow, 2.7 kW
Electrical Requirements:	North America (60 Hz): 240 VAC@40A, 50A, or 60A Export (50 Hz): 220-240 VAC@1x32A, 1x20A/1x16A, 3x16A, or suitably rated circuit breaker to comply with local electrical codes. Certain countries may require dual power inputs; two GFCI RCD breakers are required for this configuration.
Warranty*.....	North America (60 Hz): 10 Years Shell, 7 Years Shell Surface, 5 Years Plumbing Component Leaks, 5 Years Equipment and Controls, 5 Years Cabinet, 2 Years Jets, 2 Years Lights, 1 Year Stereo; Export (50 Hz): 10 Years Shell, 7 Years Shell Surface, 5 Years Plumbing Component Leaks, 5 Years Equipment and Controls, 5 Years Cabinet, 2 Years Jets, 2 Years Lights, 2 Years Stereo
Special Features (Optional).....	SmartTub® Module (Must order with the True™ Water Sytem), 2 IR Therapy Lights
Audio System (Optional).....	BLUEWAVE® Spa Stereo System (Bluetooth/Aux compatible) with four speakers and subwoofer



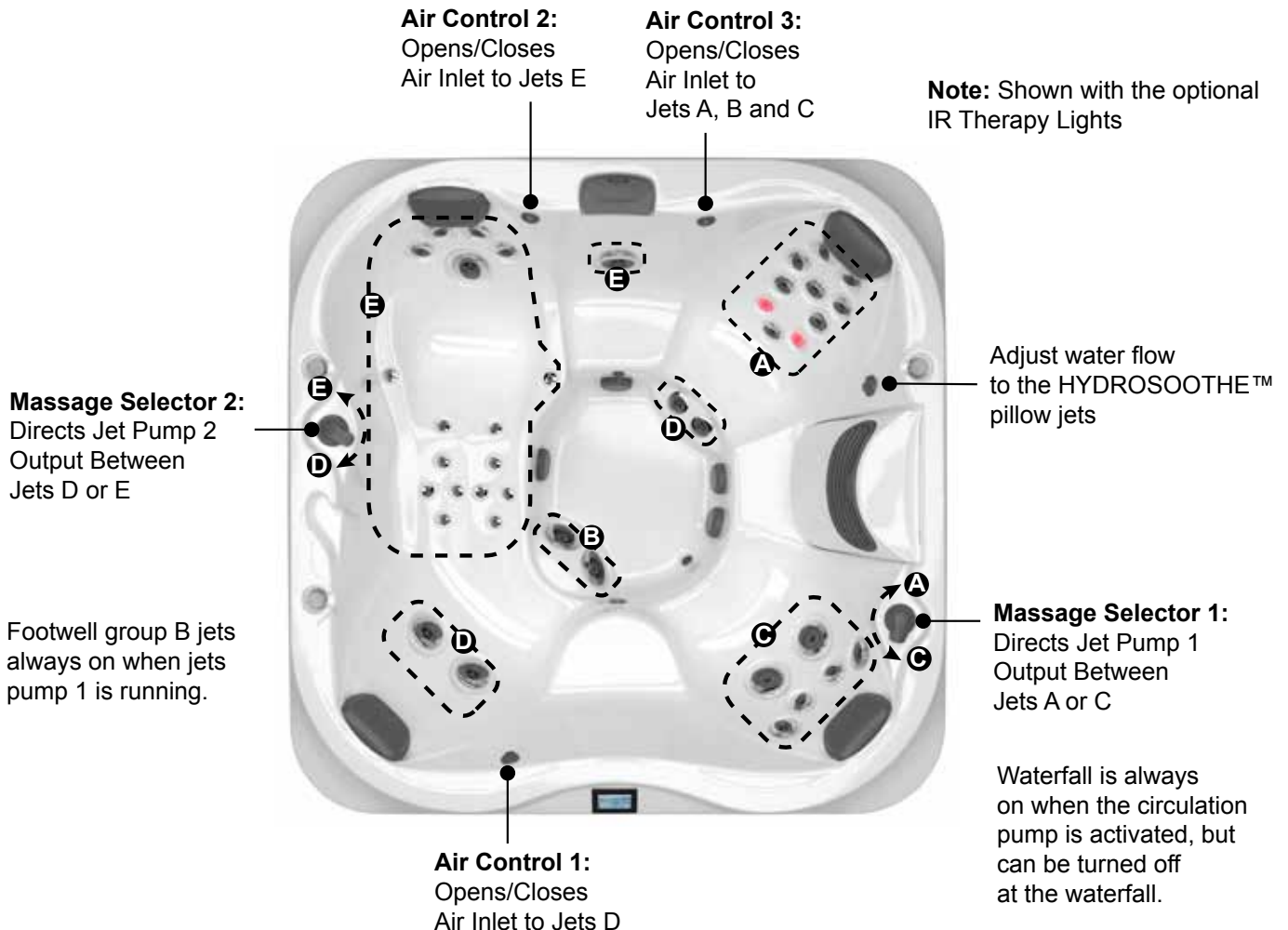
Shown with the optional
IR Therapy Lights

*(See Warranty Document for Specific Details)

Dimensions/Specifications are Subject to Change Without Notice

Jacuzzi J-335

Operation/Seat Depths



42 Total Jets



Spa Operation Subject to Change without Notice

Seat Depths

A = 25.75" (65.4 cm)
B = 27.50" (69.9 cm)
C = 23.50" (59.7 cm)
D = 28.25" (71.8 cm)
E = 22.75" (57.8 cm)

F = 25.50" (64.8 cm)
G = 16.75" (42.5 cm)
H = 33.50" (85.1 cm)

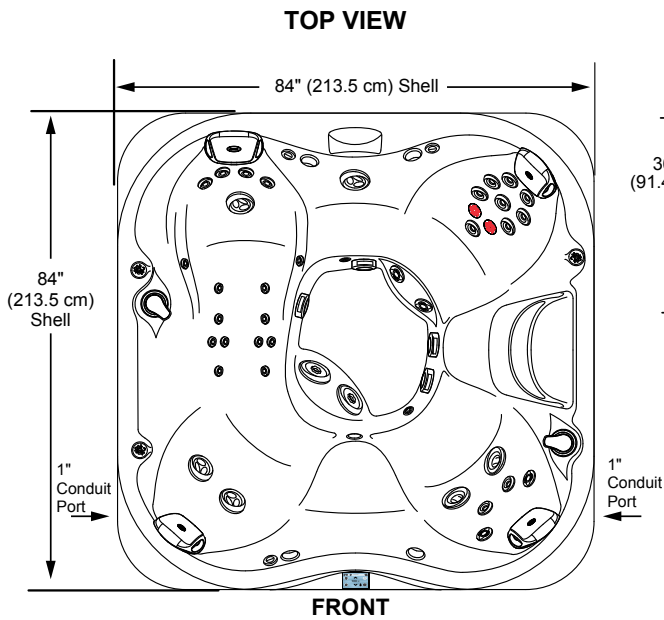
Listed dimensions
represent distance from
top of acrylic to lowest
point in seat. Tolerance \pm
0.5" (1.27 cm).



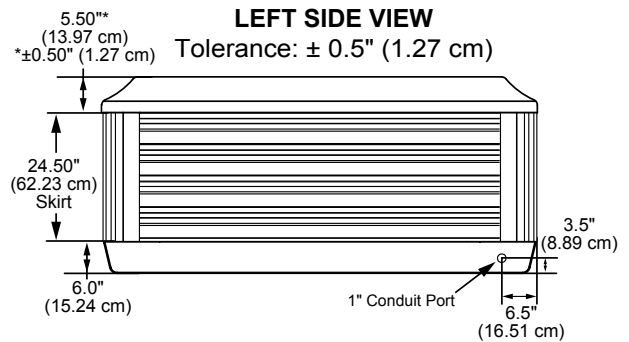
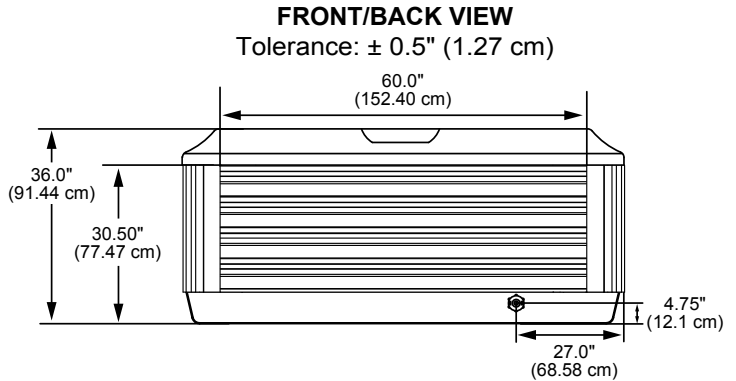
Dimensions/Specifications are Subject to Change Without Notice

Jacuzzi J-335

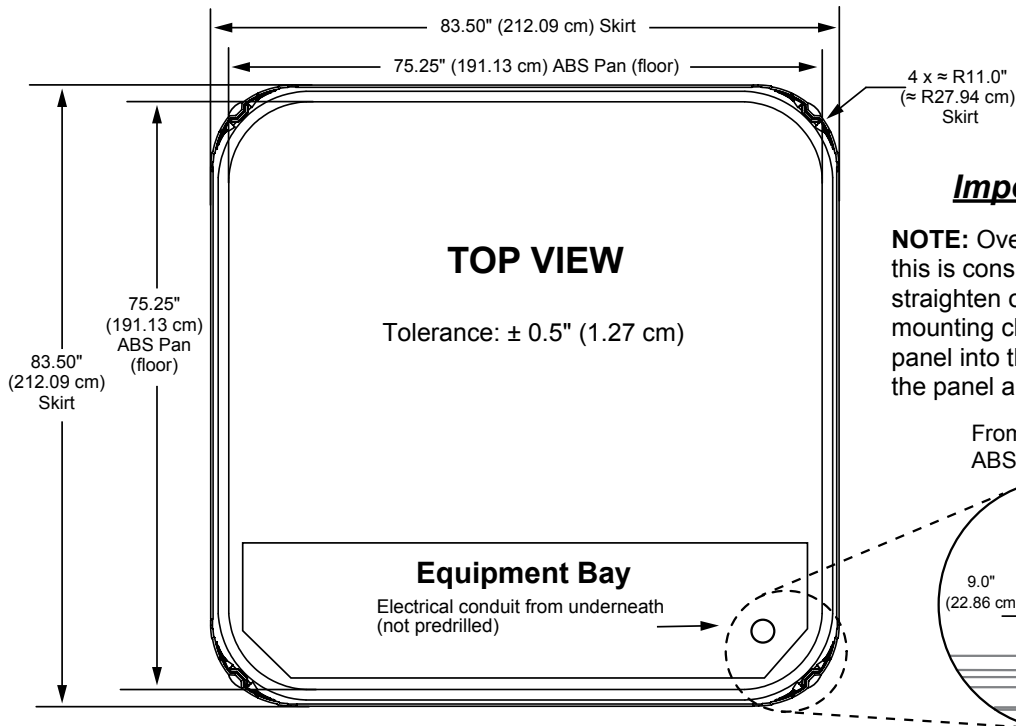
Dimensions



Equipment Bay/Pump Access
ClearRay Active Oxygen,
Optional BLUEWAVE,
and Optional SmartTub Module
behind skirt panels



IMPORTANT! Always measure each hot tub for exact dimensions BEFORE designing its foundational support and/or decking.



Important Panel Details

NOTE: Over time the panel(s) may bow, this is considered normal. The panels will straighten out when reinstalled into the mounting channel. Place one end of the panel into the channel first then flatten the panel and insert the other end.

From the edge of the ABS pan

Dimensions/specifications subject to change without notice. Tolerance $\pm 0.5"$ (1.27 cm)