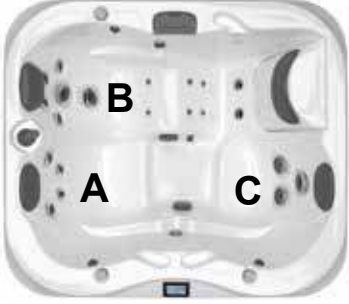


# Jacuzzi J-315

## Specifications

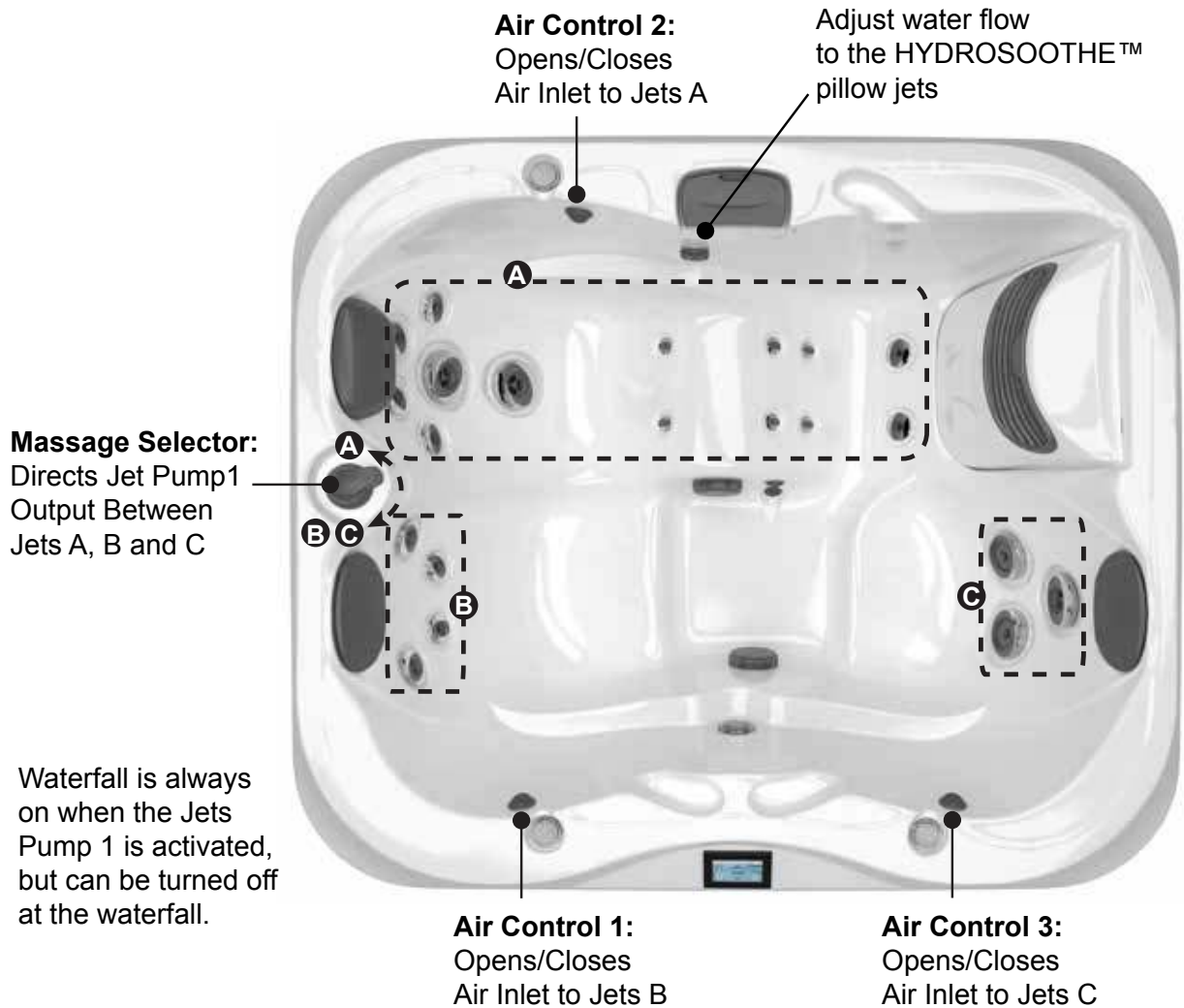
<b>Seating Capacity</b> .....	2-3 Adults	
<b>Dimensions</b> .....	66" x 76" x 31.75" (168 cm x 193 cm x 80.65 cm); <b>For Complete Dimensions, See page 81</b>	
<b>Dry Weight</b> .....	531 lbs (241 kg)	
<b>Filled Weight (Spa Volume)</b> .....	2,866 lbs (1,300 kg)	
<b>Filled Weight (Average Fill)</b> .....	2,282 lbs (1,035 kg)	
<b>Water Capacity (Spa Volume)</b> .....	280 US gallons (1,060 Liters)	
<b>Water Capacity (Average Fill)</b> .....	210 US gallons (795 Liters)	
<b>Electronic Controls</b> .....	Solid state electronic touchscreen controls, programmable temperature, filtration, and heat cycles	
<b>Pump 1 (Convertible)</b> .....	North America (60 Hz): 1-Speed, 2.5 HP brake, 1.5 HP continuous, 56 Frame	
<b>(3-Wire 240V)</b> .....	North America (60 Hz): 1-Speed, 4.8 HP brake, 2.5 HP continuous, 56 Frame	
<b>Export (50 Hz):</b> .....	<b>1-Speed, 2.0 HP continuous</b>	
<b>Circulation Pump</b> .....	Yes, 8-hour	
<b>Heater (Convertible)</b> .....	North America (60 Hz): 1 kW/4.0 kW Low Flow	
<b>(3-Wire 240V)</b> .....	North America (60 Hz): 4.0 kW Low Flow	
<b>Export (50 Hz)</b> .....	<b>2.7 kW Low Flow</b>	
<b>Total PowerPro® Jets</b> .....	23	
<b>Seat A Jets</b> .....	2 PowerPro® FX Rotational, 2 PowerPro® FX	
<b>Seat B Jets</b> .....	6 PowerPro® FX, 2 PowerPro® FX Large Rotational, 6 PowerPro® BX	
<b>Seat B HYDROSOOTHE™ Jets</b> .....	2 PowerPro® FX Directional with independent flow rate valve	
<b>Seat C Jets</b> .....	1 PowerPro® FX Large Rotational, 2 PowerPro® FX Large Rotational	
<b>Massage Selectors</b> .....	1	
<b>Air Controls</b> .....	3, On/Off rocker style	
<b>Water Management System</b> .....	Two 60 ft <sup>2</sup> filter cartridges; filter 1 on 8-hour circulation pump; filter 2 on jets pump 1; Factory installed ClearRay Active Oxygen® System; <b>Optional</b> True™ Water System (Must order with SmartTub® option)	
<b>Export (50 Hz):</b> .....	<b>ClearRay® UV-C System</b>	
<b>LED Lighting</b> .....	One underwater light with 4 color modes, one colored waterfall light, 2 HYDROSOOTHE pillow lights, and exterior lights	
<b>ProFinish™ Cabinet Colors</b> .....	Modern Hardwood, Brushed Gray, and Smoked Ebony	
<b>Acrylic Colors</b> .....	Platinum, Silver Pearl, Monaco, Midnight, Porcelain (while quantities last)	
<b>Headrests</b> .....	3	
<b>Waterfall</b> .....	One independent flow rate (on or off) adjustment; powered by the circulation pump	
<b>Heater:</b> .....	North America (60 Hz): Convertible: 1kW/4kW; 3-Wire 240V 5.5 kW, High Flow	
<b>Export (50 Hz):</b> .....	<b>High Flow, 2.7 kW</b>	
<b>Electrical Requirements:</b> .....	North America (60 Hz): Convertible 120 VAC@15A or 240 VAC@30A, 40A North America (60 Hz): 3-Wire 240V@30A, 40A <b>Export (50 Hz): 220-240 VAC@1x16A, or 2x16A, or suitably rated circuit breaker to comply with local electrical codes. Certain countries may require dual power inputs; two GFCI RCD breakers are required for this configuration.</b>	
<b>Warranty*</b> .....	North America (60 Hz): 10 Years Shell, 7 Years Shell Surface, 5 Years Plumbing Component Leaks, 5 Years Equipment and Controls, 5 Years Cabinet, 2 Years Jets, 2 Years Lights, 1 Year Stereo; <b>Export (50 Hz): 10 Years Shell, 7 Years Shell Surface, 5 Years Plumbing Component Leaks, 5 Years Equipment and Controls, 5 Years Cabinet, 2 Years Jets, 2 Years Lights, 2 Years Stereo</b>	
<b>Special Features (Optional)</b> .....	SmartTub® Module (Must order with the True™ Water Sytem)	
<b>Audio System (Optional)</b> .....	BLUEWAVE® Spa Stereo System (Bluetooth/Aux compatible) with four speakers and subwoofer	

\*(See Warranty Document for Specific Details)

Dimensions/Specifications are Subject to Change Without Notice

# Jacuzzi J-315

## Operation/Seat Depths



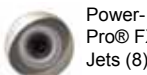
### 23 Total Jets



Power-Pro® BX  
Jets (6)



HYDROSOOTHE  
Jets (2)



Power-Pro® FX  
Jets (8)



Power-Pro® FX  
Rotational  
Jets (2)



Power-Pro® FX  
Large  
Jets (2)



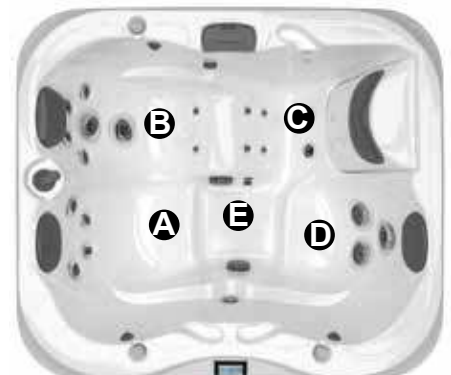
Power-Pro® FX  
Large  
Rotational  
Jets (3)

Spa Operation Subject to Change without Notice

## Seat Depths

- A = 27.50" (69.9 cm)**
- B = 26.25" (66.7 cm)**
- C = 27.88" (70.8 cm)**
- D = 26.75" (69.4 cm)**
- E = 27.50" (69.9 cm)**

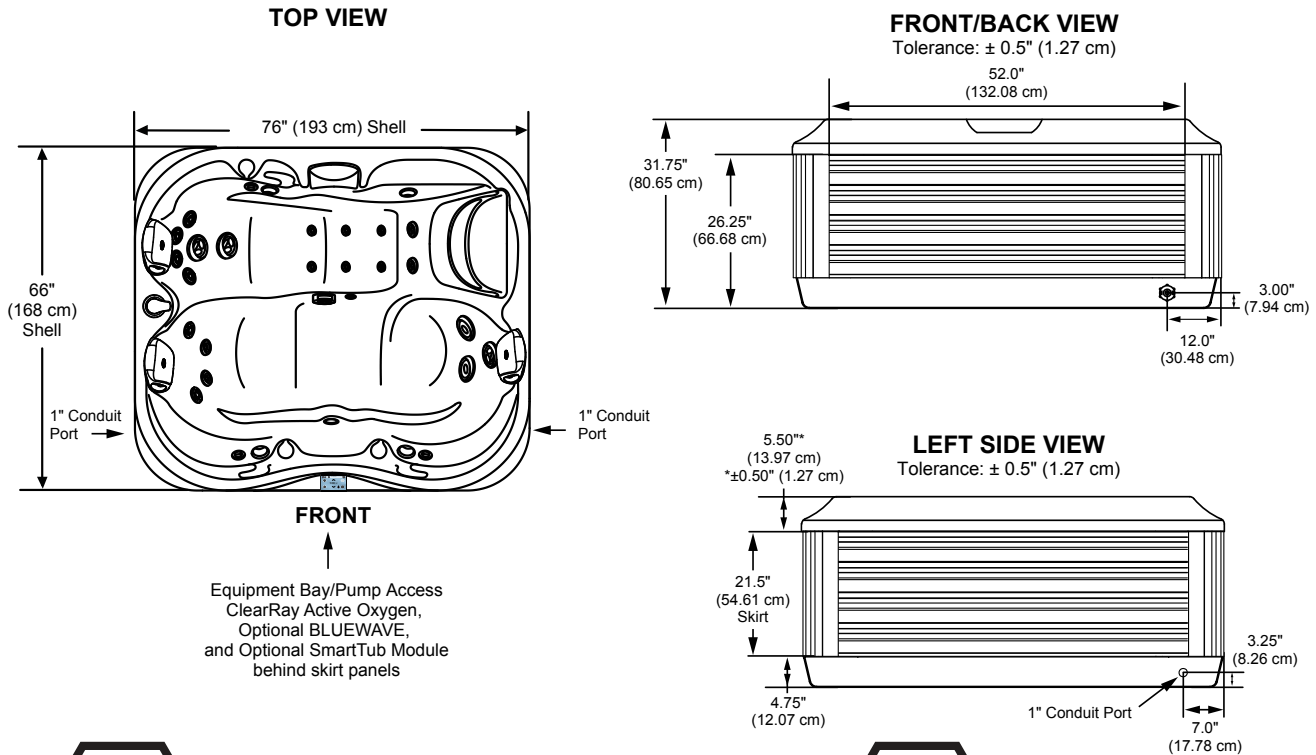
Listed dimensions  
represent distance from  
top of acrylic to lowest  
point in seat. Tolerance  
± 0.5" (1.27 cm).



Dimensions/Specifications are Subject to Change Without Notice

# Jacuzzi J-315

## Dimensions

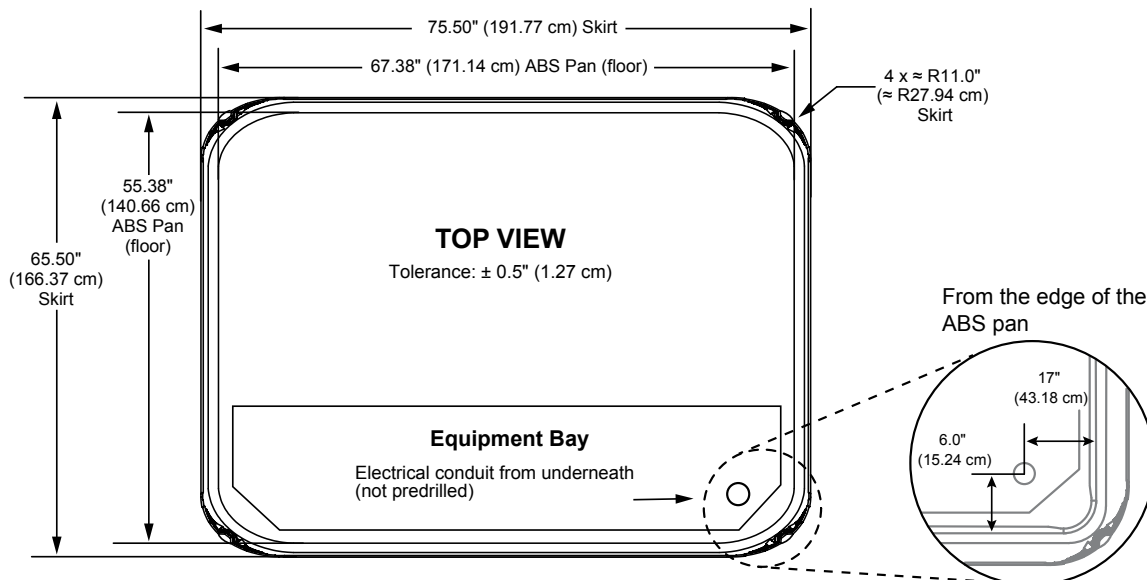


**IMPORTANT!** Always measure each hot tub for exact dimensions **BEFORE** designing its foundational support and/or decking.



### Important Panel Details

**NOTE:** Over time the panel(s) may bow, this is considered normal. The panels will straighten out when reinstalled into the mounting channel. Place one end of the panel into the channel first then flatten the panel and insert the other end.



Dimensions/specifications subject to change without notice. Tolerance  $\pm 0.5"$  (1.27 cm)