

# Jacuzzi J-285

## Specifications

<b>Seating Capacity</b> .....	6-7 Adults
<b>Dimensions</b> .....	89" x 89" x 36" (226 cm x 226 cm x 91 cm); <b>For Complete Dimensions, See page 82</b>
<b>Dry Weight</b> .....	777 lbs (352 kg)
<b>Filled Weight (Spa Volume)</b> .....	4,905 lbs (2,225 kg)
<b>Filled Weight (Average Fill)</b> .....	3,821 lbs (1,733 kg)
<b>Water Capacity (Spa Volume)</b> ...	495 US gallons (1,874 Liters)
<b>Water Capacity (Average Fill)</b> ...	365 US gallons (1,382 Liters)
<b>Electronic Controls</b> .....	Solid state electronic controls with LED readout, programmable temperature, filtration, and heat cycles
<b>Pump 1</b> .....	North America (60 Hz): 2-Speed, 4.5 HP brake, 2.5 HP continuous, 56 Frame <b>Export (50 Hz): ..... 2-Speed, 2.0 HP continuous</b>
<b>Pump 2</b> .....	North America (60 Hz): 1-Speed, 4.8 HP brake, 2.5 HP continuous, 56 Frame <b>Export (50 Hz): ..... 1-Speed, 2.0 HP continuous</b>
<b>Circulation Pump</b> .....	No
<b>Total Jets</b> .....	42
<b>Seat A Jets</b> .....	2 SL Directional, 4 SL3R Rotational
<b>Seat B Jets</b> .....	2 SL5 Directional
<b>Seat C Jets</b> .....	2 SL Directional, 1 SL3 Directional, 8 SLR Rotational
<b>Seat D Jets</b> .....	1 SL5 Directional
<b>Seat E Jets</b> .....	2 SL Directional, 6 SL3 Directional
<b>Seat F Jets</b> .....	4 SL3R Rotational, 2 SL5R Rotational
<b>Footwell (G)</b> .....	8 SL Directional
<b>Massage Selectors</b> .....	None
<b>Air Controls</b> .....	2
<b>Water Management System</b> .....	One 50 ft <sup>2</sup> filter cartridge on jets pump 1, ClearRay Active Oxygen® System <b>Export (50 Hz): ..... ClearRay® UV-C System</b>
<b>LED Lighting</b> .....	LED Lighting System (Interior Surround); Standard Exterior Light
<b>Cabinet Colors</b> .....	Smoked, Charcoal
<b>Acrylic Colors</b> .....	Platinum, Silver Pearl, Monaco, Midnight, Porcelain (while quantities last)
<b>Headrests</b> .....	4
<b>Waterfall</b> .....	One independent flow rate (on or off) adjustment; powered by the pump 1
<b>Heater:</b> .....	North America (60 Hz): 5.5 kW, High Flow <b>Export (50 Hz): ..... High Flow, 2.7 kW</b>
<b>Electrical Requirements:</b> .....	North America (60 Hz): 240 VAC@40A, 50A or 60A <b>Export (50 Hz): 220-240 VAC@1x16A, 1x32A or 2 out of 3-phase (see manual) or suitably rated circuit breaker to comply with local electrical codes. Certain countries may require dual power inputs; two GFCI RCD breakers are required for this configuration.</b>
<b>Warranty*</b> .....	North America (60 Hz): 5 Years Shell, 3 Years Shell Surface, 3 Years Plumbing Component Leaks, 3 Years Equipment and Controls, 1 Year Cabinet, 1 Year Jets <b>Export (50 Hz): 5 Years Shell, 3 Years Shell Surface, 3 Years Plumbing Component Leaks, 3 Years Equipment and Controls, 1 Year Cabinet, 1 Year Jets</b>
<b>Special Features (Optional)</b> .....	SmartTub® Module
<b>Audio System (Optional)</b> .....	N/A



\*(See Warranty Document for Specific Details)

Dimensions/Specifications are Subject to Change Without Notice

# Jacuzzi J-285

## Operation/Seat Depths



Group A Jets are always on when Pump 1 is running.

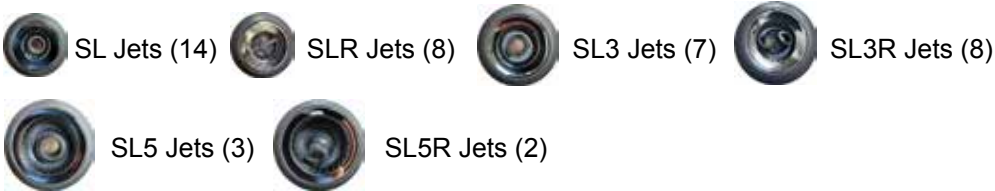
Group B Jets are always on when Pump 2 is running.

**Air Control 1:**  
Opens/Closes Air Inlet to Jet Group A

**Waterfall Valve:**  
Adjust water flow to the waterfall.

**Air Control 2:**  
Opens/Closes Air Inlet to Jet Group B

### 42 Total Jets



Spa Operation Subject to Change without Notice

## Seat Depths

**A = 26.00" (66.04 cm)**  
**B = 21.75" (55.25 cm)**  
**C = 25.00" (63.50 cm)**  
**D = 21.63" (54.93 cm)**  
**E = 27.00" (68.58 cm)**  
**F = 18.00" (45.72 cm)**

**G = 23.25" (59.06 cm)**  
**H = 17.25" (43.82 cm)**  
**I = 30.00" (76.20 cm)**

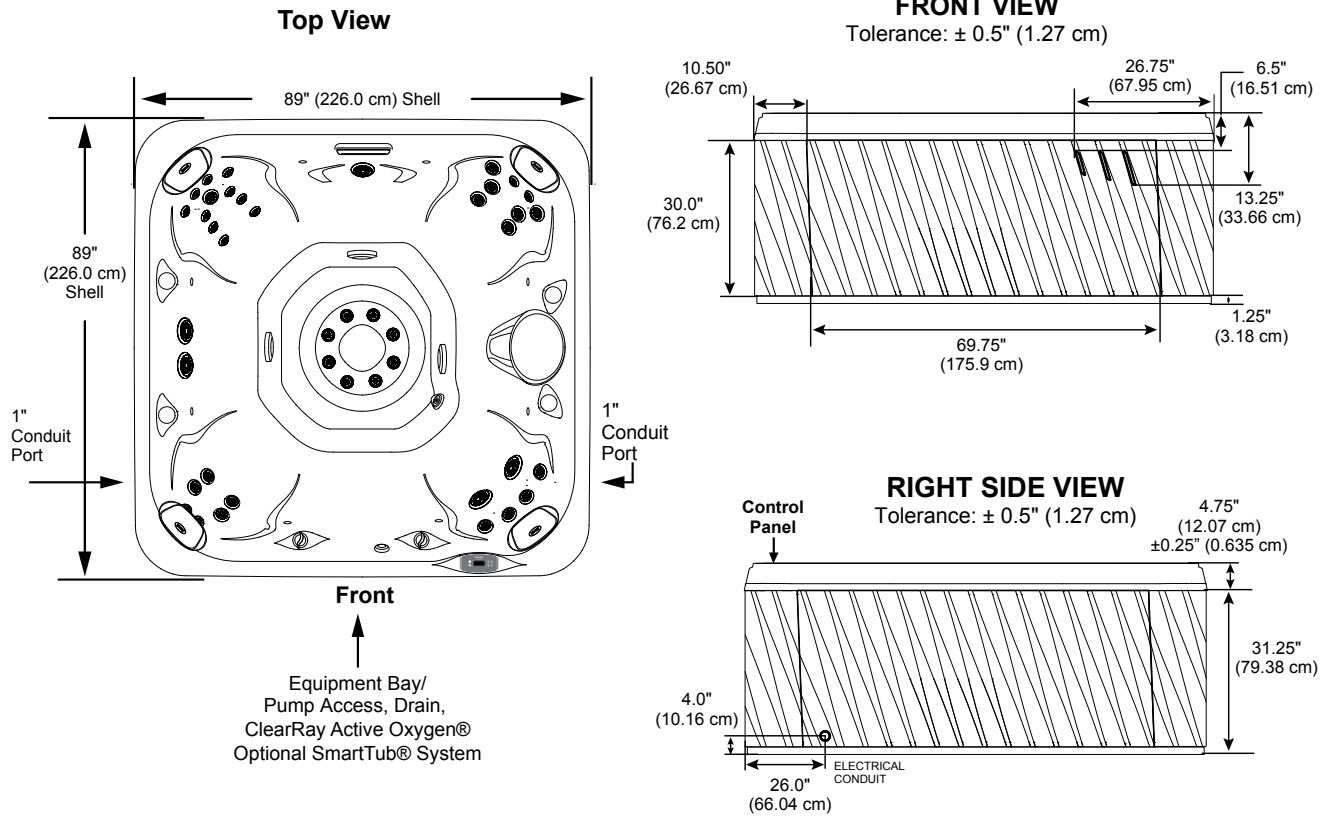
Listed dimensions represent distance from top of acrylic to lowest point in seat. Tolerance  $\pm 0.5"$  (1.27 cm).



Dimensions/Specifications are Subject to Change Without Notice

# Jacuzzi J-285

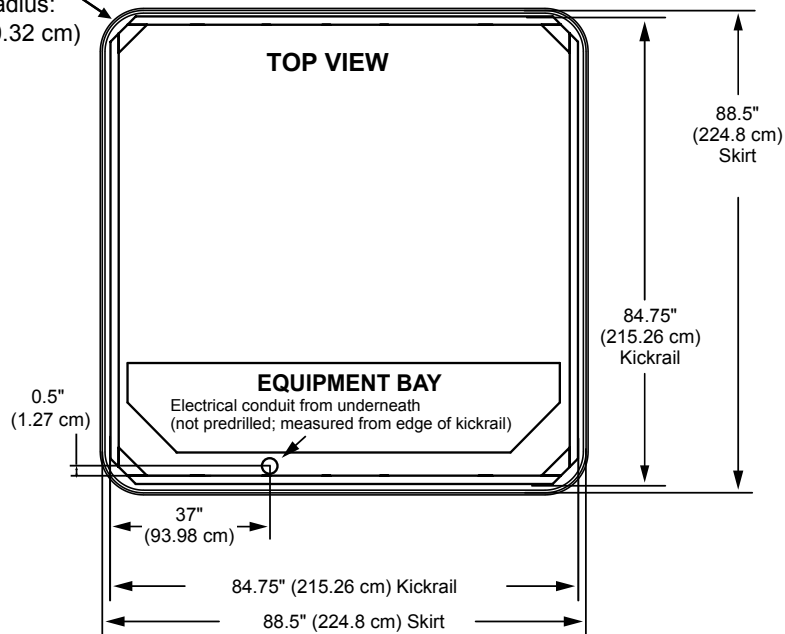
## Dimensions



**IMPORTANT! Always measure each hot tub for exact dimensions BEFORE designing its foundational support and/or decking.**



Cabinet Radius:  
 $\approx 10.0"$  (20.32 cm)



Dimensions/specifications subject to change without notice. Tolerance:  $\pm 0.5"$  (1.27 cm)

Dimensions/specifications subject to change without notice. Tolerance  $\pm 0.5"$  (1.27 cm)