

Jacuzzi J-245

Specifications

Seating Capacity.....	6-7 Adults
Dimensions	84" x 84" x 36" (213 cm x 213 cm x 91 cm); For Complete Dimensions, See page 82
Dry Weight.....	717 lbs (325 kg)
Filled Weight (Spa Volume)	4,345 lbs (1,971 kg)
Filled Weight (Average Fill).....	3,386 lbs (1,536 kg)
Water Capacity (Spa Volume) ...	435 US gallons (1,647 Liters)
Water Capacity (Average Fill) ...	320 US gallons (1,211 Liters)
Electronic Controls	Solid state electronic controls with LED readout, programmable temperature, filtration, and heat cycles
Pump 1.....	North America (60 Hz): 2-Speed, 4.5 HP brake, 2.5 HP continuous, 56 Frame Export (50 Hz):.....2-Speed, 2.0 HP continuous
Pump 2.....	North America (60 Hz): 1-Speed, 4.8 HP brake, 2.5 HP continuous, 56 Frame Export (50 Hz):.....1-Speed, 2.0 HP continuous
Circulation Pump.....	No
Total Jets	37
Seat A	2 SL Directional, 8 SLR Rotational, 1 SL3 Directional
Seat B	1 SL3R Rotational
Seat C	2 SL Directional, 6 SL3 Directional
Seat D	2 SL3R Rotational
Seat E.....	2 SL3 Directional, 1 SL5R Rotational
Seat F.....	2 SL Directional, 4 SL3R Rotational
Footwell (G).....	4 SL Directional
Massage Selectors	None
Air Controls.....	2
Water Management System.....	One 50 ft ² filter cartridge on jets pump 1, ClearRay Active Oxygen® System Export (50 Hz): ClearRay® UV-C System
LED Lighting	LED Lighting System (Interior Surround); Standard Exterior Light
Cabinet Colors	Smoked, Charcoal
Acrylic Colors	Platinum, Silver Pearl, Monaco, Midnight, Porcelain (while quantities last)
Headrests	4
Waterfall	One independent flow rate (on or off) adjustment; powered by the pump 1
Heater:	North America (60 Hz): 5.5 kW, High Flow Export (50 Hz): High Flow, 2.7 kW
Electrical Requirements:	North America (60 Hz): 240 VAC@40A, 50A or 60A Export (50 Hz): 220-240 VAC@1x16A, 1x32A or 2 out of 3-phase (see manual) or suitably rated circuit breaker to comply with local electrical codes. Certain countries may require dual power inputs; two GFCI RCD breakers are required for this configuration.
Warranty*.....	North America (60 Hz): 5 Years Shell, 3 Years Shell Surface, 3 Years Plumbing Component Leaks, 3 Years Equipment and Controls, 1 Year Cabinet, 1 Year Jets Export (50 Hz): 5 Years Shell, 3 Years Shell Surface, 3 Years Plumbing Component Leaks, 3 Years Equipment and Controls, 1 Year Cabinet, 1 Year Jets
Special Features (Optional).....	SmartTub® Module
Audio System (Optional).....	N/A



*(See Warranty Document for Specific Details)

Dimensions/Specifications are Subject to Change Without Notice

Jacuzzi J-245

Operation/Seat Depths



Group A Jets are always on when Pump 1 is running.

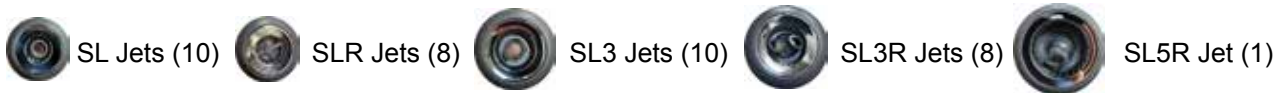
Group B Jets are always on when Pump 2 is running.

Air Control 1:
Opens/Closes Air Inlet to Jet Group A

Waterfall Valve:
Adjust water flow to the waterfall.

Air Control 2:
Opens/Closes Air Inlet to Jet Group B

37 Total Jets



Spa Operation Subject to Change without Notice

Seat Depths

A = 25.88" (65.72 cm)
B = 20.63" (52.39 cm)
C = 26.75" (67.95 cm)
D = 21.63" (54.93 cm)
E = 24.63" (62.55 cm)
F = 18.25" (46.36 cm)

G = 23.38" (59.37 cm)
H = 17.13" (43.50 cm)
I = 30.00" (76.20 cm)

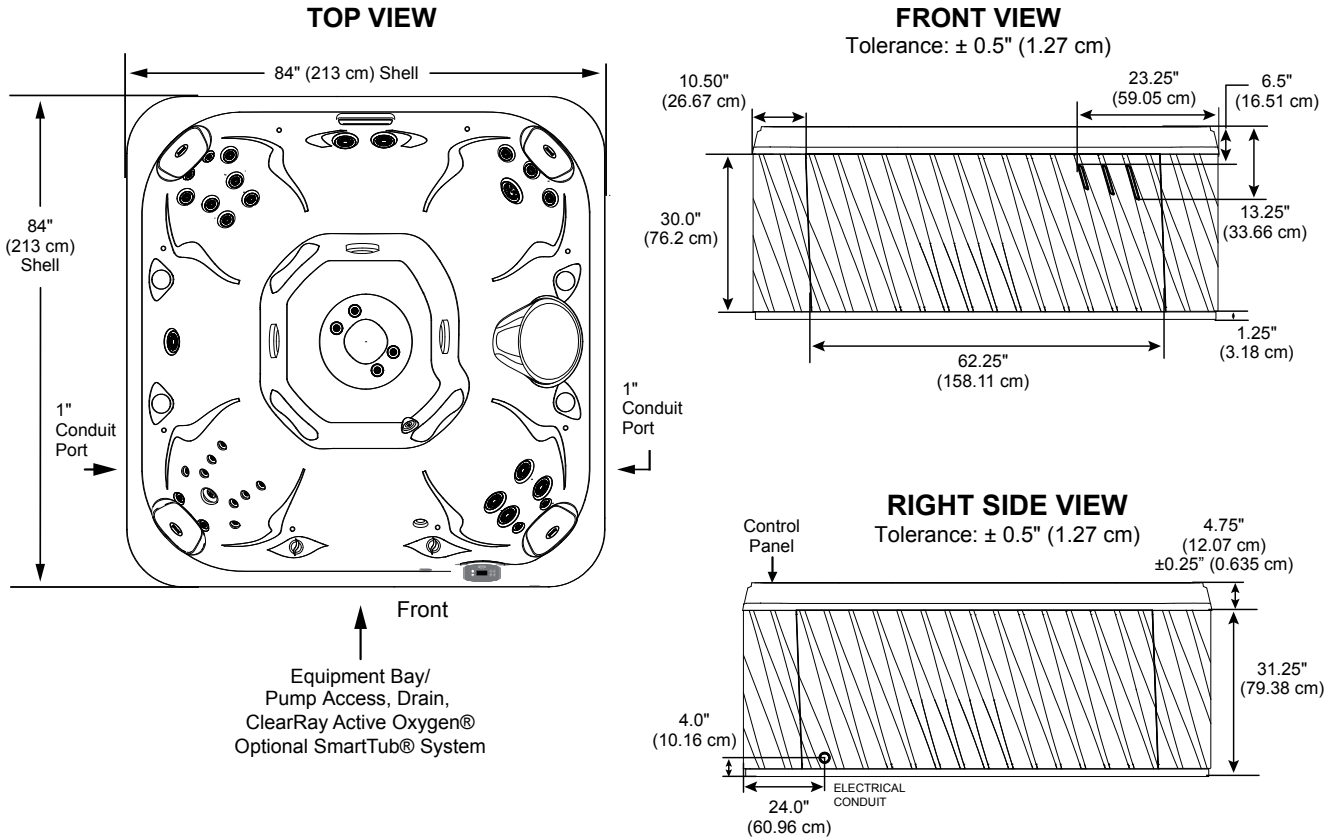
Listed dimensions represent distance from top of acrylic to lowest point in seat. Tolerance $\pm 0.5"$ (1.27 cm).



Dimensions/Specifications are Subject to Change Without Notice

Jacuzzi J-245

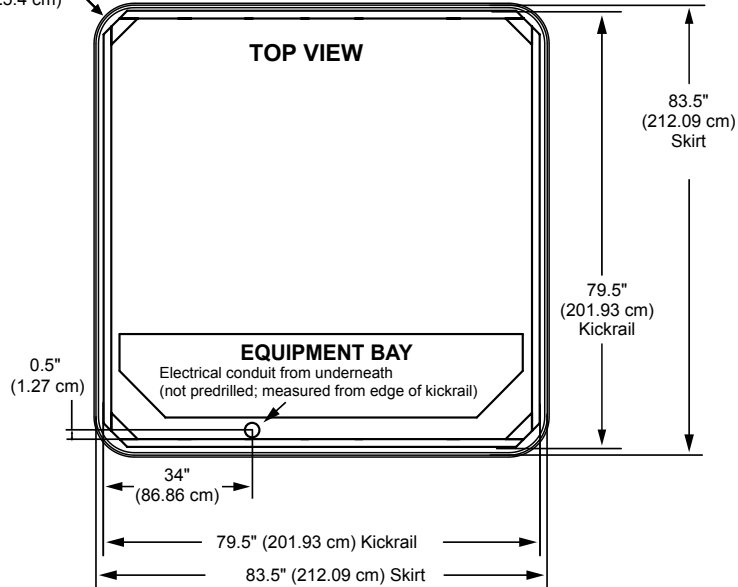
Dimensions



IMPORTANT! Always measure each hot tub for exact dimensions BEFORE designing its foundational support and/or decking.



Cabinet Radius:
 $\approx 10.0"$ (25.4 cm)



Dimensions/specifications subject to change without notice. Tolerance: $\pm 0.5"$ (1.27 cm)

Dimensions/specifications subject to change without notice. Tolerance $\pm 0.5"$ (1.27 cm)