

# Jacuzzi J-235

## Specifications

<b>Seating Capacity</b> .....	6 Adults	
<b>Dimensions</b> .....	84" x 84" x 36" (213 cm x 213 cm x 91 cm); <b>For Complete Dimensions, See page 82</b>	
<b>Dry Weight</b> .....	726 lbs (329 kg)	
<b>Filled Weight (Spa Volume)</b> .....	4,229 lbs (1,918 kg)	
<b>Filled Weight (Average Fill)</b> .....	3,270 lbs (1,483 kg)	
<b>Water Capacity (Spa Volume)</b> ...	420 US gallons (1,590 Liters)	
<b>Water Capacity (Average Fill)</b> ...	305 US gallons (1,155 Liters)	
<b>Electronic Controls</b> .....	Solid state electronic controls with LED readout, programmable temperature, filtration, and heat cycles	
<b>Pump 1</b> .....	North America (60 Hz): 2-Speed, 4.5 HP brake, 2.5 HP continuous, 56 Frame	
<b>Export (50 Hz):</b> .....	<b>2-Speed, 2.0 HP continuous</b>	
<b>Pump 2</b> .....	North America (60 Hz): 1-Speed, 4.8 HP brake, 2.5 HP continuous, 56 Frame	
<b>Export (50 Hz):</b> .....	<b>1-Speed, 2.0 HP continuous</b>	
<b>Circulation Pump</b> .....	No	
<b>Total Jets</b> .....	34	
<b>Seat A Jets</b> .....	4 SL3R Rotational, 2 SL5R Rotational	
<b>Seat B Jets</b> .....	2 SL3R Rotational	
<b>Seat C Jets</b> .....	2 SLR Rotational, 2 SL Directional, 8 SL3 Directional	
<b>Seat D Jet</b> .....	1 SL3R Rotational	
<b>Seat E Jets</b> .....	2 SLR Rotational, 8 SL Directional, 1 SL3 Directional	
<b>Footwell (G)</b> .....	2 SL3 Directional	
<b>Massage Selectors</b> .....	None	
<b>Air Controls</b> .....	2	
<b>Water Management System</b> .....	One 50 ft <sup>2</sup> filter cartridge on jets pump 1, ClearRay Active Oxygen® System	
<b>Export (50 Hz):</b> .....	<b>ClearRay® UV-C System</b>	
<b>LED Lighting</b> .....	LED Lighting System (Interior Surround); Standard Exterior Light	
<b>Cabinet Colors</b> .....	Smoked, Charcoal	
<b>Acrylic Colors</b> .....	Platinum, Silver Pearl, Monaco, Midnight, Porcelain (while quantities last)	
<b>Headrests</b> .....	3	
<b>Waterfall</b> .....	One independent flow rate (on or off) adjustment; powered by the pump 1	
<b>Heater:</b> .....	North America (60 Hz): 5.5 kW, High Flow	
<b>Export (50 Hz):</b> .....	<b>High Flow, 2.7 kW</b>	
<b>Electrical Requirements:</b> .....	North America (60 Hz): 240 VAC@40A, 50A or 60A <b>Export (50 Hz): 220-240 VAC@1x16A, 1x32A or 2 out of 3-phase (see manual) or suitably rated circuit breaker to comply with local electrical codes. Certain countries may require dual power inputs; two GFCI RCD breakers are required for this configuration.</b>	
<b>Warranty*</b> .....	North America (60 Hz): 5 Years Shell, 3 Years Shell Surface, 3 Years Plumbing Component Leaks, 3 Years Equipment and Controls; 1 Year Cabinet, 1 Year Jets <b>Export (50 Hz): 5 Years Shell, 3 Years Shell Surface, 3 Years Plumbing Component Leaks, 3 Years Equipment and Controls, 1 Year Cabinet, 1 Year Jets</b>	
<b>Special Features (Optional)</b> .....	SmartTub® Module	
<b>Audio System (Optional)</b> .....	N/A	

\*(See Warranty Document for Specific Details)

Dimensions/Specifications are Subject to Change Without Notice

# Jacuzzi J-235

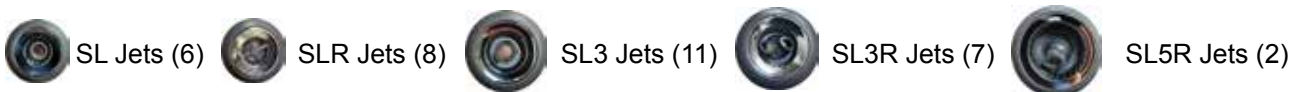
## Operation/Seat Depths



Group A Jets are always on when Pump 1 is running.

Group B Jets are always on when Pump 2 is running.

### 34 Total Jets



Spa Operation Subject to Change without Notice

## Seat Depths

- A = 23.25" (59.06 cm)
- B = 20.75" (52.71 cm)
- C = 24.88" (63.18 cm)
- D = 25.50" (64.77 cm)
- E = 17.50" (44.45 cm)
- F = 21.50" (54.61 cm)
- G = 25.63" (65.09 cm)
- H = 17.00" (43.18 cm)
- I = 30.00" (76.20 cm)

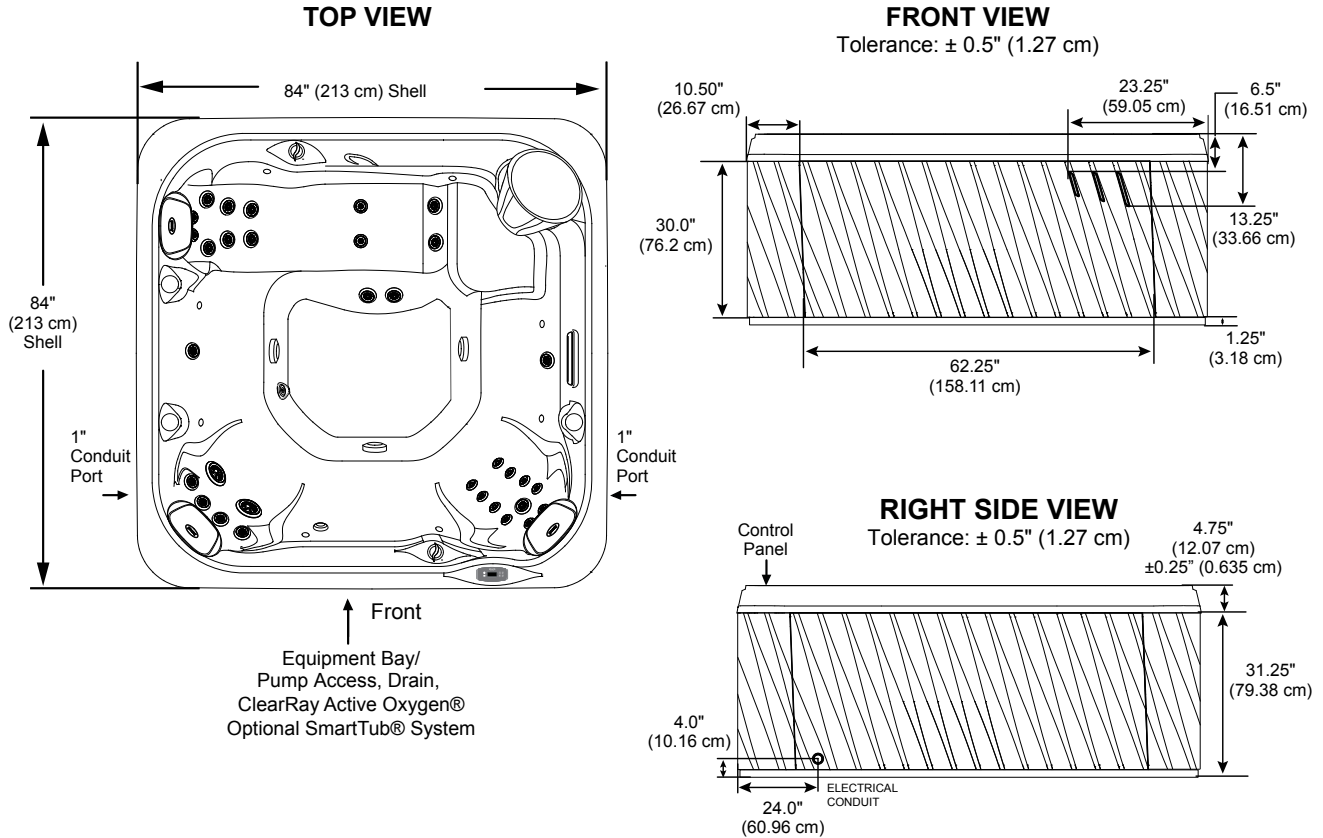
Listed dimensions represent distance from top of acrylic to lowest point in seat. Tolerance  $\pm 0.5"$  (1.27 cm).



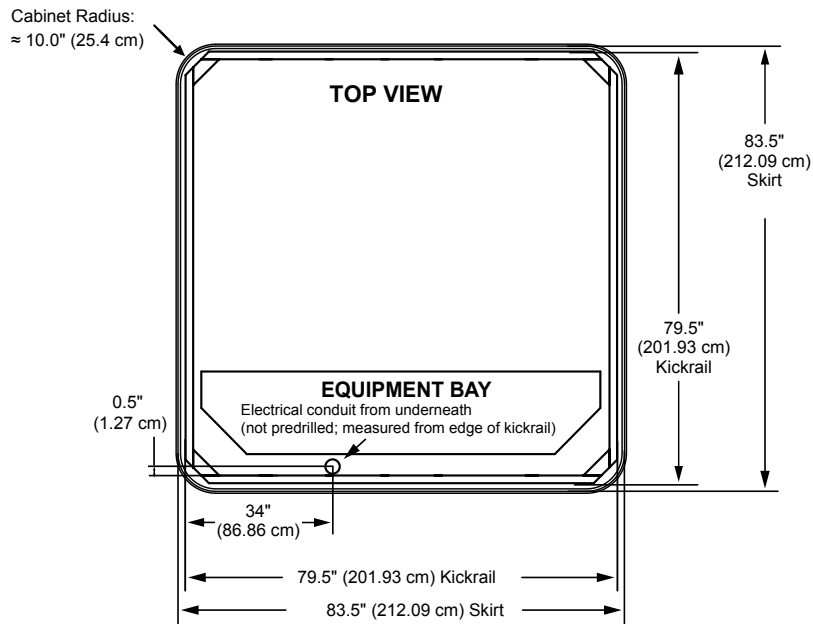
Dimensions/Specifications are Subject to Change Without Notice

# Jacuzzi J-235

## Dimensions



**IMPORTANT! Always measure each hot tub for exact dimensions BEFORE designing its foundational support and/or decking.**



Dimensions/specifications subject to change without notice. Tolerance:  $\pm 0.5"$  (1.27 cm)

Dimensions/specifications subject to change without notice. Tolerance  $\pm 0.5"$  (1.27 cm)