

Jacuzzi J-225

Specifications

Seating Capacity	4-5 Adults
Dimensions	80" x 80" x 33" (203 cm x 203 cm x 84 cm); For Complete Dimensions, See page 82
Dry Weight	619 lbs (281 kg)
Filled Weight (Spa Volume)	3,805 lbs (1,726 kg)
Filled Weight (Average Fill)	2,954 lbs (1,340 kg)
Water Capacity (Spa Volume) ...	382 US gallons (1,446 Liters)
Water Capacity (Average Fill) ...	280 US gallons (1,060 Liters)
Electronic Controls	Solid state electronic controls with LED readout, programmable temperature, filtration, and heat cycles
Pump 1	North America (60 Hz): 2-Speed, 2.5 HP brake, 1.5 HP continuous, 48 Frame Export (50 Hz): 2-Speed, 2.0 HP continuous
Circulation Pump	No
Total Jets	26
Seat A Jets	3 SL3 Directional, 1 SL5R Rotational
Seat B Jets	1 SLR Rotational, 1 SL3 Directional, 8 SL Directional
Seat C Jet	1 SL3R Rotational
Seat D Jets	6 SL3 Directional
Seat E Jets	4 SL3R Rotational
Massage Selectors	None
Air Controls	2
Water Management System	One 50 ft ² filter cartridge on jets pump 1, ClearRay Active Oxygen® System Export (50 Hz): ClearRay® UV-C System
LED Lighting	LED Lighting System (Interior Surround); Standard Exterior Light
Cabinet Colors	Smoked, Charcoal
Acrylic Colors	Platinum, Silver Pearl, Monaco, Midnight, Porcelain (while quantities last)
Headrests	4
Heater:	North America (60 Hz): 120V 1kW or 240V 4.0 kW, High Flow Export (50 Hz): High Flow, 2.7 kW
Electrical Requirements:	North America (60 Hz): 120V@15A (GFCI cord) 240 VAC@30A or 40A Export (50 Hz): 220-240 VAC@1x16A, 1x32A or 2 out of 3-phase (see manual) or suitably rated circuit breaker to comply with local electrical codes. Certain countries may require dual power inputs; two GFCI RCD breakers are required for this configuration.
Warranty*	North America (60 Hz): 5 Years Shell, 3 Years Shell Surface, 3 Years Plumbing Component Leaks, 3 Years Equipment and Controls; 1 Year Cabinet, 1 Year Jets Export (50 Hz): 5 Years Shell, 3 Years Shell Surface, 3 Years Plumbing Component Leaks, 3 Years Equipment and Controls, 1 Year Cabinet, 1 Year Jets
Special Features (Optional)	SmartTub® Module
Audio System (Optional)	N/A



*(See Warranty Document for Specific Details)

Dimensions/Specifications are Subject to Change Without Notice

Jacuzzi J-225

Operation/Seat Depths

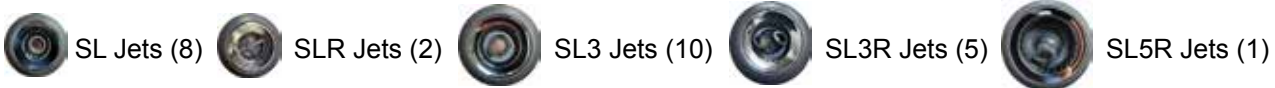


Jets are always on when the Jets Pump 1 is running.

Air Control 1:
Opens/Closes
Air Inlet to Jet
Group A

Air Control 2:
Opens/Closes
Air Inlet to Jet
Group B

26 Total Jets



Spa Operation Subject to Change without Notice

Seat Depths

A = 23.50" (59.69 cm)
B = 21.00" (53.34 cm)
C = 27.25" (69.22 cm)
D = 21.88" (55.56 cm)
E = 23.88" (60.64 cm)

F = 21.50" (54.61 cm)
G = 26.00" (66.04 cm)
H = 17.50" (44.45 cm)
I = 28.00" (71.12 cm)

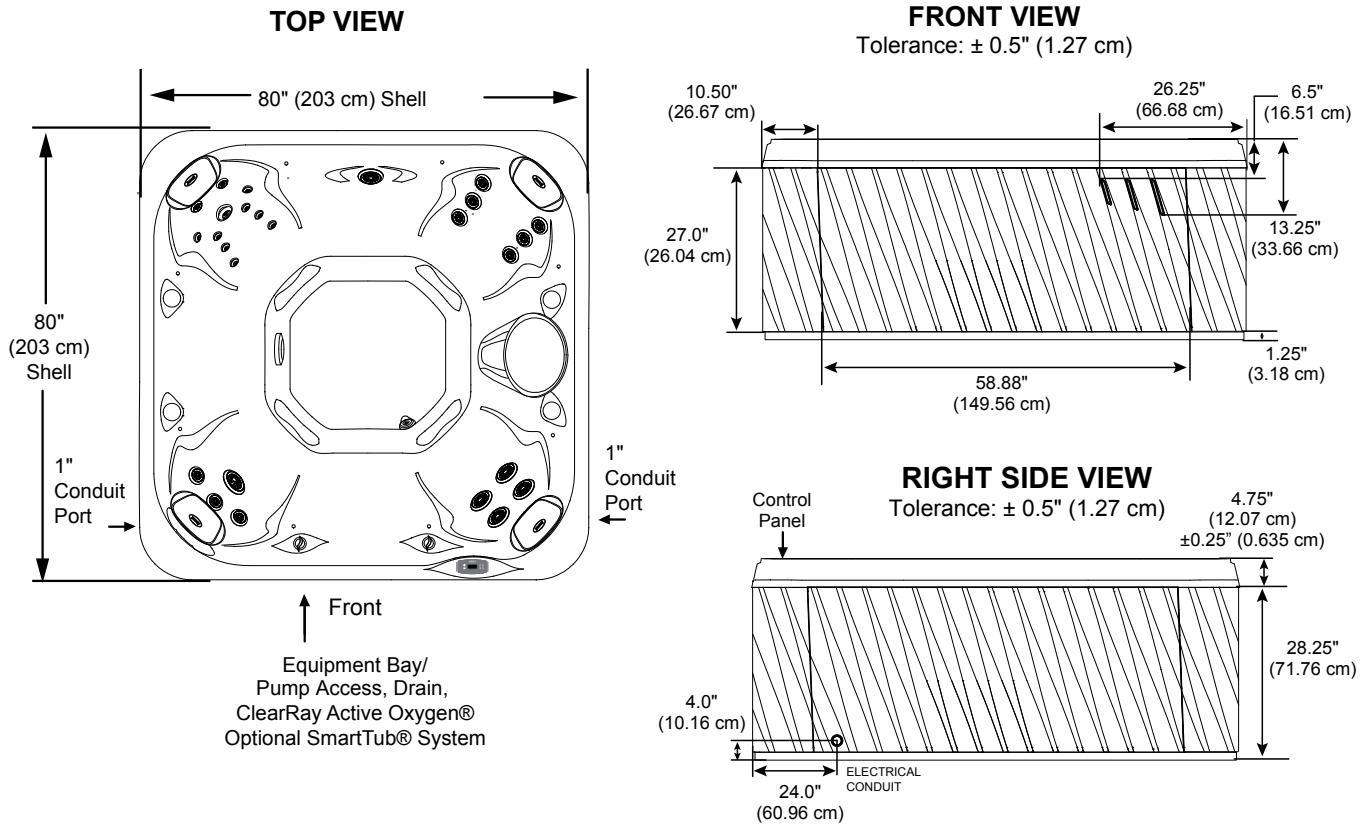
Listed dimensions represent distance from top of acrylic to lowest point in seat. Tolerance $\pm 0.5"$ (1.27 cm).



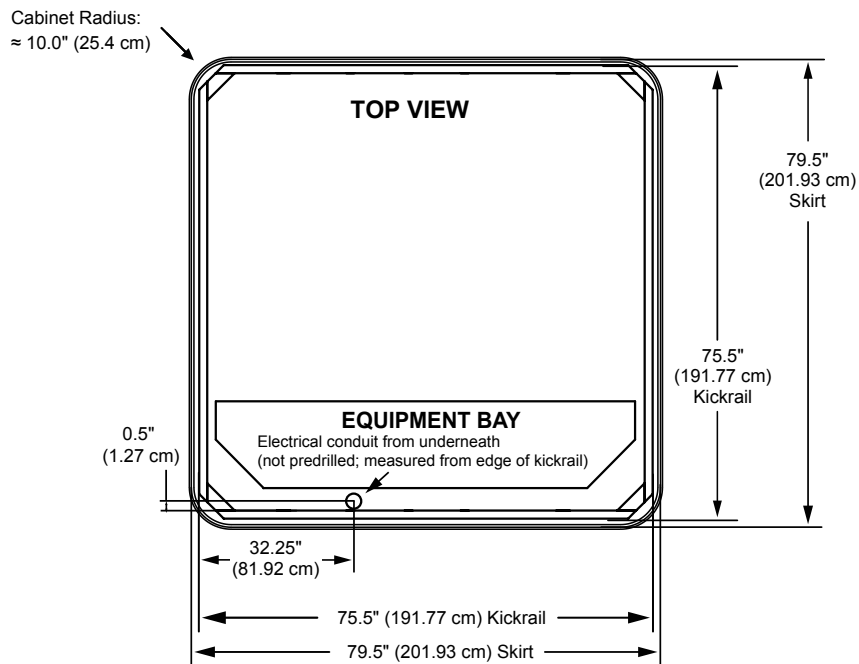
Dimensions/Specifications are Subject to Change Without Notice

Jacuzzi J-225

Dimensions



IMPORTANT! Always measure each hot tub for exact dimensions BEFORE designing its foundational support and/or decking.



Dimensions/specifications subject to change without notice. Tolerance $\pm 0.5"$ (1.27 cm)